

 energetics

WR 1000 RUDERGERÄT

GB

D

CZ

SK

HU



CE



1h



EN ISO
20957-1
EN 957-7 HC



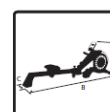
Battery:
2xAA



40 – 50 min



Max. 150 kg



L=195 cm
B= 52 cm
H= 90 cm

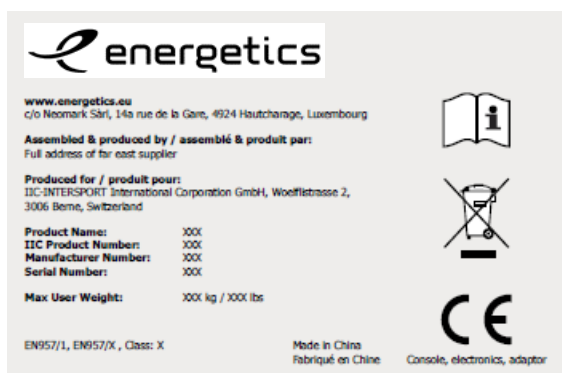


34 kg

Table of contents - Inhaltsverzeichnis -Obsah - Obsah - Tájékoztató

English	P	3
Deutsch	P	20
Česky	P	37
Slovensky	P	54
Magyar	P	71

Serial Decal / Seriennummeraufkleber / Štítek se seriovým číslem / Seriovy štítok / Cimke



- EN** The product sticker is placed on the rear stabilizer on bikes and ellipticals and next to the power inlet on treadmills
- DE** Der Aufkleber für die Serien-nummer ist bei Heimtrainer oder Ellipticals auf der hinteren Querstütze angebracht, bei Laufbändern in der Nähe des Stromanschlusses.
- CZ** Štítek výrobku se nachází na zadním tabulizátoru kol a eliptických trenažerů a vedle elektrického přívodu na běžeckých trenažerech.
- SK** Štítok výrobku je umiestnený na zadnej strane stabilizátora na bicykloch a kolesach a blízko pri napájaní na bežeckom pase.
- HU** A termék ontapados címkeje a kerekparok és szobakerekparok hatso stabilizátorán van elhelyezve és a pedálakon a tapbemenet mellett.

- EN** © The owners manual is only for the customer reference. ENERGETICS can not guarantee for mistakes occurring due to translation or change in technical specification of the product. Wherever pictograms are used they may differ from your product, it's for reference only.
- DE** © Die Gebrauchsanweisung dient nur zur Referenz für den Kunden. ENERGETICS übernimmt keine Haftung für Fehler die durch Übersetzung oder technische Änderungen des Produkts entstehen. Falls Piktogramme verwendet werden, können diese von Ihrem Produkt abweichen und dienen nur als Referenz.
- CZ** © Navod k použití je pouze doporučení pro zakazníky. ENERGETICS nepřebírá žádné ručení za chyby způsobené překladem či změnami v technické specifikaci výrobku. Použití piktogramů v tomto návodu se může lišit od skutečného použití na vašem výrobku, rozmištění v tomto návodu slouží pouze pro informaci.
- SK** © Tento návod je určený len pre potrebu zákazníkov. ENERGETICS nezodpovedá za chyby, ktoré sa môžu vyskytnúť kvôli chybnému prekladu alebo zmenám v technickej špecifikácii produktu. Všade, kde sa používajú piktogramy, sa tieto môžu líšiť od vášho produktu a sú určené len na referenčné účely.
- HU** © A vásárlók számára a jelen használati utasításnak csak ajánló jellege van. Az ENERGETICS cég nem vállal kezeséget olyan jellegű hibákért, amelyek az eredeti szöveg fordításából, illetve a termék módosított műszaki specifikációjából származnak. A használt piktogramok eltérhetnek a termék piktogramjaitól. Ezek csak tájékoztató jellegűek.

INTERSPORT is a participating company in the BSCI (Business Social Compliance Initiative) based in Brussels. Through BSCI, INTERSPORT is committed to implement the BSCI Code of Conduct in its supply chain and to gradually achieve better working conditions at the involved suppliers' workplaces. The BSCI system is based on three pillars: monitoring of non-compliances by external independent audits; empowering of supply chains' actors through various capacitybuilding activities; and engagement with all relevant stakeholders via constructive dialogue in Europe and supplying countries. Our social audits are conducted by neutral, internationally recognized auditing companies with the aim of monitoring the social compliance of our supplier factories.

For more information on the BSCI please visit: www.bsci-intl.org



Norms & Regulations

Consumer safety is the number one priority for ENERGETICS products. This means that all of our products comply with national and international legal requirements (such as the EU Regulation (EC No. 1907/2006) concerning the Registration, Evaluation, Authorization and Restriction of Chemicals [REACH]).

This product is also CE certified and has been tested by an internationally recognized institute and certified against the industry standard EN 957.



Disposal of electrical waste products (Directive 2002/96/EC WEEE):

All products that contain electrical and electronic equipment must be marked with the logo. These products shall not be disposed in municipal waste. Instead please check local regulations regarding these types of products.



Disposal of batteries (Directive 2006/66/EG):

Batteries must be marked with the logo including the chemical symbols Hg, Cd or Pb if the battery contains mercury, cadmium or lead above the threshold limits mentioned in the directive and its amendments. Batteries used in products shall not be disposed in municipal waste.



Directive 2011/65/EU:

Restriction of the use of certain hazardous substances in electrical and electronic equipment (RoHS).



Dear Customer,

Congratulations on your purchase of an ENERGETICS home fitness equipment. This product has been designed and manufactured to meet the needs and requirements of in-home use. Please carefully read the assembly- and user manual. Be sure to keep the instructions for reference and/or maintenance. If you have any further questions, please contact us. We wish you lots of success and fun while training.

Your ENERGETICS - Team

Product Safety

ENERGETICS offers high quality home fitness equipment. All products have been tested and certified according to the latest European Norm ISO EN 20957-1, EN 957-7.

Important Safety Instructions for all home fitness equipment

- Do not assemble or operate this home fitness equipment outdoors or in a wet or moist location.
- Before you start training on your home fitness equipment product, please read the instructions carefully.
- Be sure to keep the instructions for information, in case of repair and for spare part delivery.
- This training equipment is not suitable for therapeutic purposes.
- Consult your physician before starting with any exercise programs to receive advice on the optimal training.
- Warning: incorrect/excessive training can cause health injuries. Stop using the home fitness equipment when feeling uncomfortable.
- Warning: The safety level of the training equipment can only be maintained if it is examined regularly on damage or wear.
- Please follow the advice for correct training as detailed in the training instructions.
- Ensure that training only starts after correct assembly, adjustment and inspection of the home fitness equipment.
- Always start with a warm-up session.
- Only use original ENERGETICS parts as delivered (see partslist).
- Follow the steps of the assembly instruction carefully.
- Only use suitable tools for assembly and ask for assistance if necessary.
- Place the home fitness equipment on an even, non-slippery surface for immobilization, reducing noise and vibration.
- To protect the floor or carpet from damage, place a mat under the product.
- For all adjustable parts be aware of the maximum position to which they can be adjusted.
- Tighten all adjustable parts to prevent sudden movement while training.
- This product is designed for adults. Please ensure that children only use it under the supervision of an adult.
- Do not use the home fitness equipment without shoes or loose shoes.
- Be aware of non-fixed or moving parts whilst mounting or dismounting the home fitness equipment.
- Search for noisy parts: If you should notice unusual noises, like grinding, clacking etc. try to locate it and have it repaired by a professional. Make sure the home fitness equipment is not used until after repairs have been made.
- This device is not meant to be used by persons (including children) with limited physical, sensory or mental capabilities or lacking experience and/or the knowledge to use this device, unless under the supervision of another person in charge of their safety or having been given prior instruction on the operation of this device.
- Children should always be under supervision, to assure they are not playing with this device. The resistance level can be adjusted to your personal preference: see operations.



This product is made for home use only and tested up to a maximum body weight of: see front page or serial decal on product.



WARNING: Heart rate monitoring systems may be inaccurate. Over exercising may result in serious injury or death. If you feel faint stop exercising immediately.

Cleaning, Care & Maintenance on fitness equipment

Important



- Frequent cleaning of your home fitness equipment will extend the product's life.
- Use of a home fitness equipment mat is recommended for ease of cleaning.
- Use clean and proper sport shoes only.
- Use a damp cloth to clean the home fitness equipment and avoid the use of abrasives or solvents.
- To prevent damage to the computer, keep liquids away and keep it out of direct sunlight.
- The home fitness equipment should not be used or stored in a moist area because of possible corrosion.



- In case of repair please ask your dealer for advice.
- Replace defective components immediately and/or keep the equipment out of use until repair.
- Use original spare parts for repair only.



Daily



Monthly



Immediately wipe off the sweat; perspiration can ruin the appearance and proper function of the home fitness equipment.



Check that all connecting elements are tightly fitted and in good condition.

Checklist

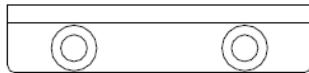
HARDWARE PACKAGE



_____ #19 1pc



_____ #20 1pc



_____ #40 1pc



_____ #59 M8*15 4pcs



_____ #61 M4*12 2pcs



_____ #62 M8*15 4pcs



_____ #68 M8*15 8pcs



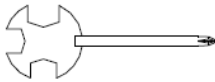
_____ #72 M6*10 2pcs



_____ #74 OD20*ID8.5*1.5 8pcs



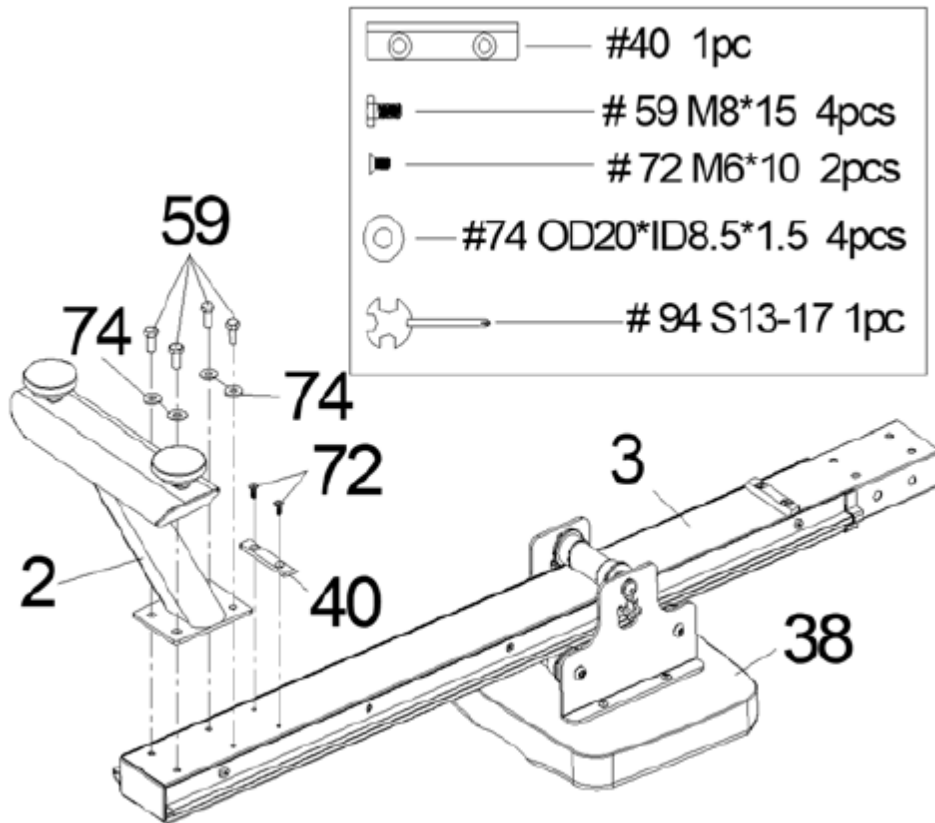
_____ #93 S5 1pc



_____ #94 S13-17 1pc

Assembly instruction

Step 1

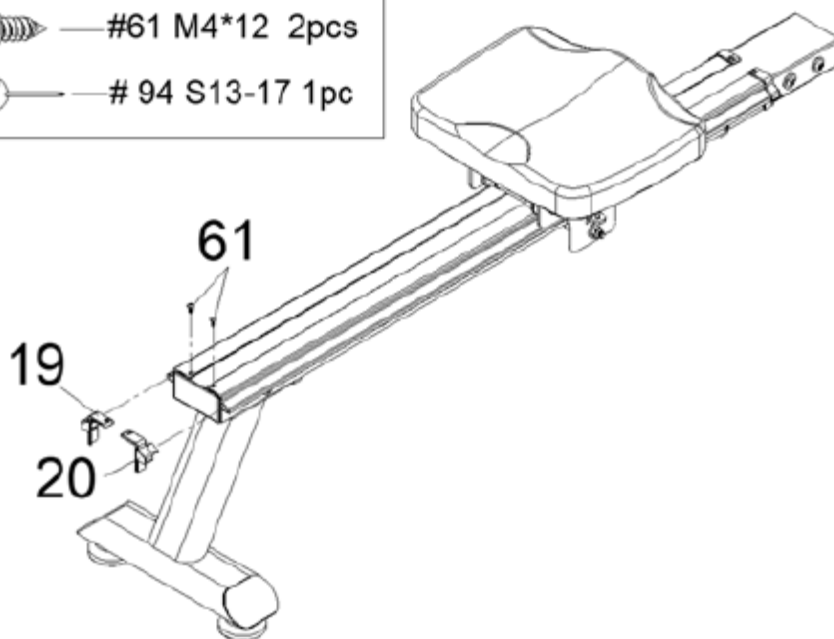
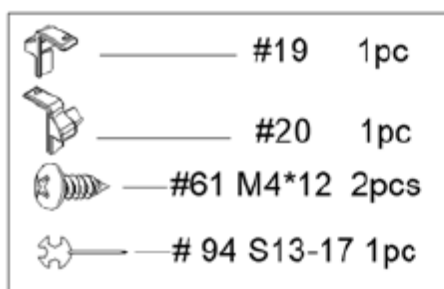


NOTE: We recommend having 2 people to assemble the product.

Turn over the Slide Rail (No. 3) and Seat (No. 38) as left.

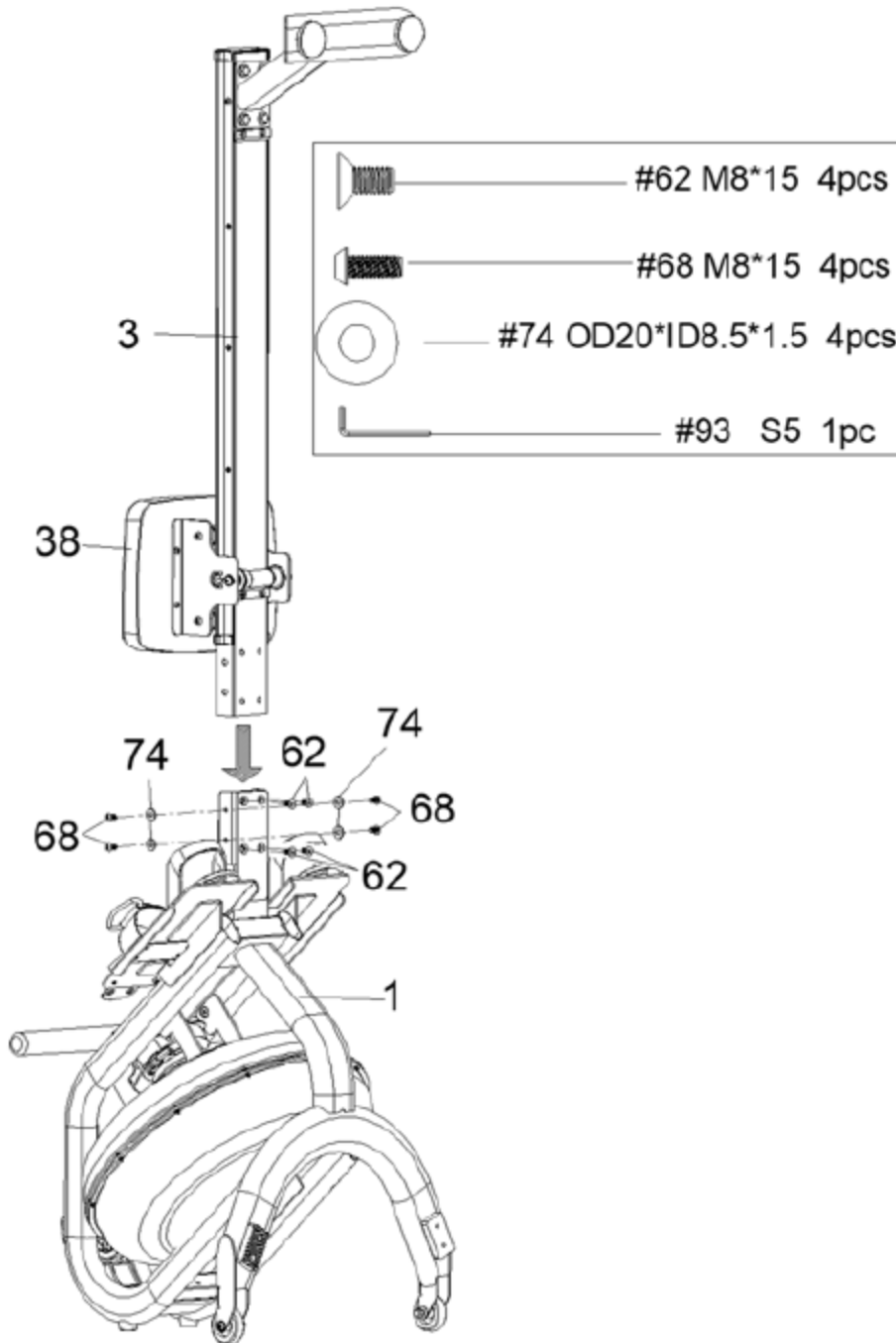
Slide the Seat (No. 38) onto the Slide Rail (No. 3). Secure the Limit Pad (No. 40) with 2 Flat Cross Screws (No. 72). Then attach the Rear Stabilizer (No. 2) to the Slide Rail (No. 3) with 4 Washers (No. 74) and 4 Outer Hex Screws (No. 59). Tighten with Spanner (No. 94).

Step 2



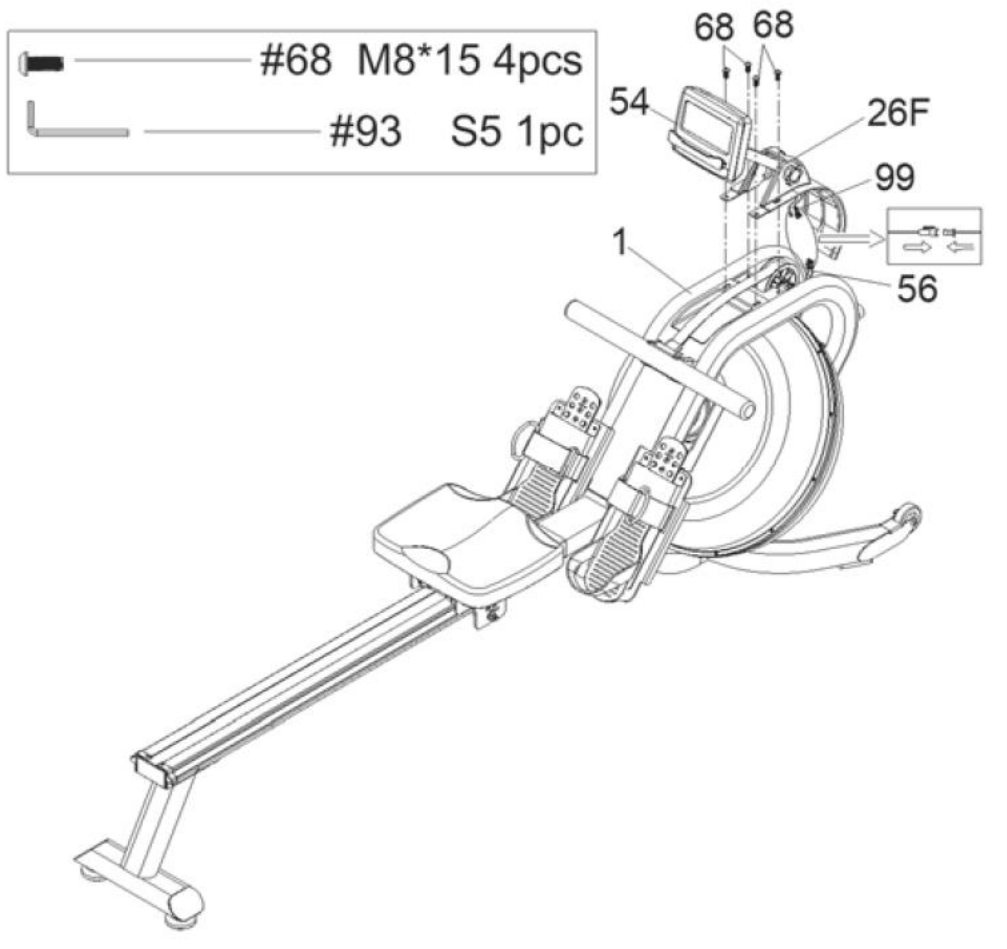
Secure the Left/Right Decorative Cover for Rail (No.19&20) with 2 Cross Screw (No.61) onto the Slide Rail (No.3). Tighten with Spanner (No. 94).

Step 3



NOTE: Move the Seat (No. 38) to the front of the Slide Rail (No. 3) before assembly to prevent it from gliding down during assembly. Attach the Slide Rail (No. 3) to the Main Frame (No. 1) using 4 Washers (No. 74), 4 Screws (No. 68) and 4 Flat Screws (No. 62). Insert all 8 screws partially into the holes first, and then tighten with Allen Wrench (No. 93).

Step 4



Connect the Connection wire (No. 99) to the Sensor wire (No. 56).
Plug the Front Decorate cover (No. 26F) into the hole of Main Frame (No. 1).
Attach the Support for computer (#54) to Main Frame, Tighten with 4 Screws (#68).

HOW TO FILL AND EMPTY THE TANK

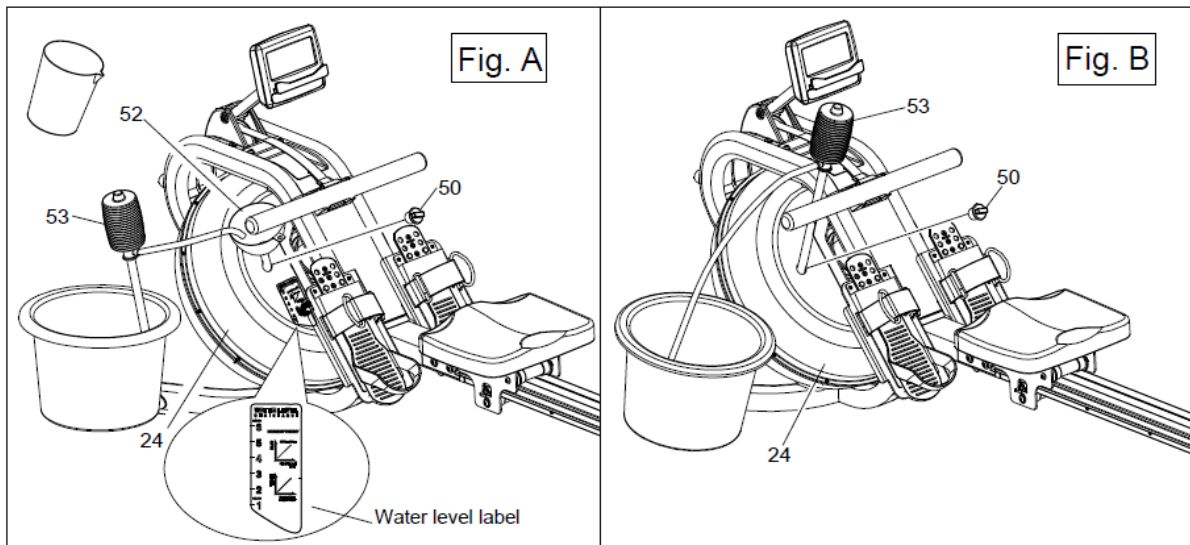
1. Remove the Fill Plug (No.50) from the Upper Tank Cover (No. 24).
2. To fill the tank with water, refer to Fig. A. Insert the Funnel (No. 52) into the tank, then use a cup or the Siphon Pump (No. 53) and a bucket to fill the tank. Use the water level gauge on the side of the tank to measure desired water level in the tank.
3. To empty the tank, refer to Fig. B. Place a bucket next to the rower, and use the Siphon Pump (No. 53) to pump out the water from the tank into the bucket.
4. Insert Fill Plug (No. 50) into the Upper Tank Cover (No. 24). Wipe excess water off of the frame.

NOTE

- Fill the tank only with tap water. Add 1 water-purification tablet (1 packet is included.). Never use pool chlorine or chlorine bleach. This will damage the tank and void the warranty.
- Add a water purification tablet every 6 months or as needed. If water remains cloudy, replace the water in the tank.
- Do not consume the tank water. Dispose the water after pumping it out from the tank.

WATER LEVEL

- See Fig. A. The water level gauge is on the side of the tank. The maximum fill level is 6. Never fill it over this limit. Filling the tank over this limit will void the warranty.
- The resistance depends on the water level in the tank. Water level 1 is for the lowest resistance. Level 6 is for the highest resistance.



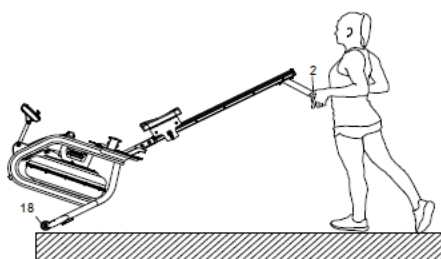
ADJUSTMENT GUIDE



The pedal strap is adjustable and can be personalized to fit the user's foot size.

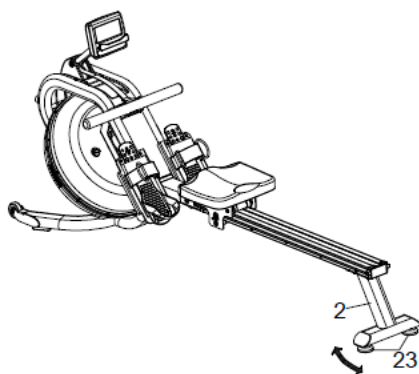
To adjust the pedal strap, remove the Velcro end of the strap from the mesh side by pulling it upward then to the left.

Once removed, you may increase the opening of the pedal strap by pulling the mesh end up and to the right.



MOVING THE MACHINE

To move the machine, lift up the Rear Support (No. 2) until the Moving Wheels (No. 18) on the front stabilizer touch the ground. With the wheels on the ground, you can transport the machine to the desired location with ease.



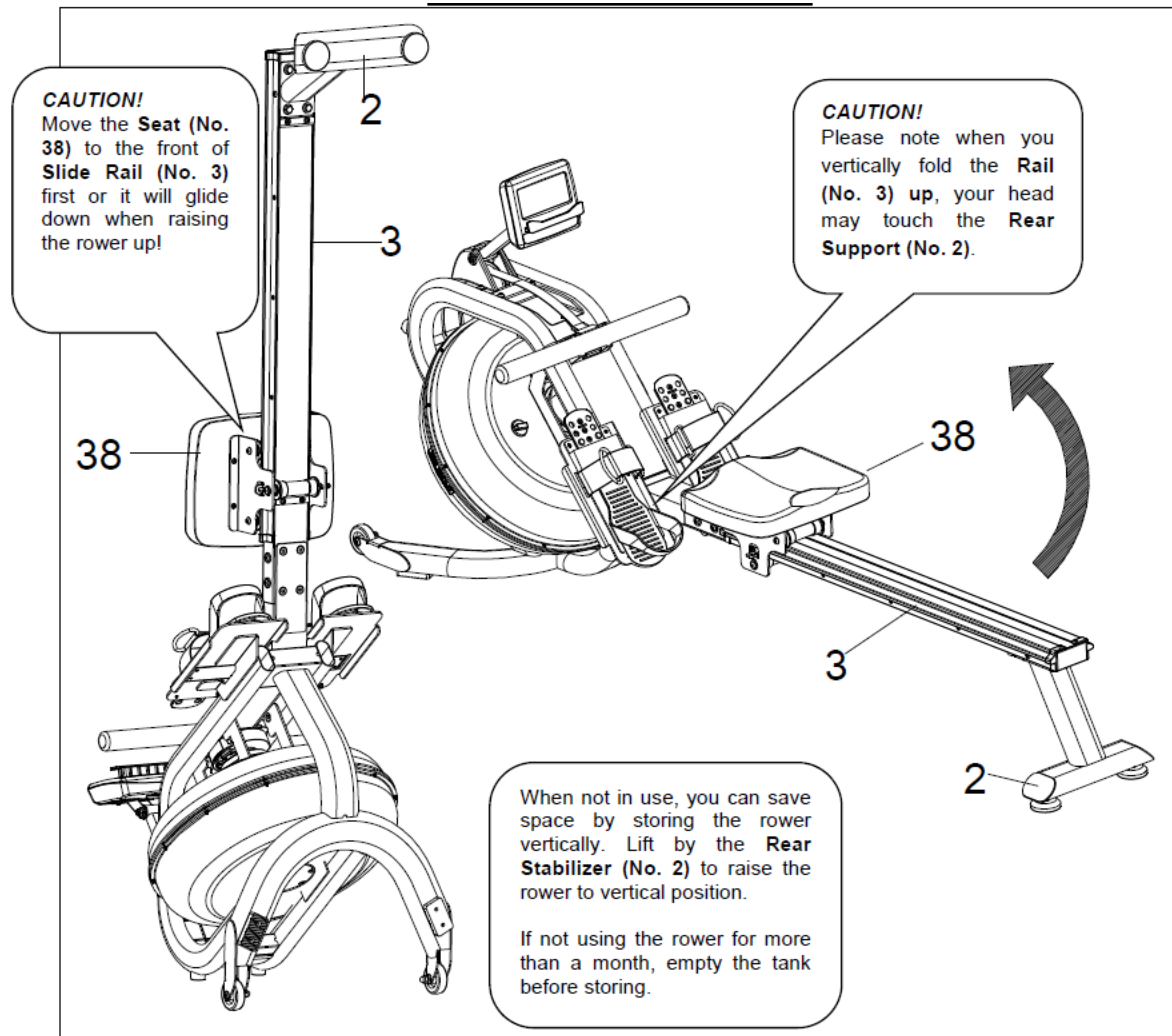
LEVELING THE MACHINE

Adjust the Adjust Knob (No. 23) below the Rear Stabilizer (No.2) for leveling.

CAUTION!

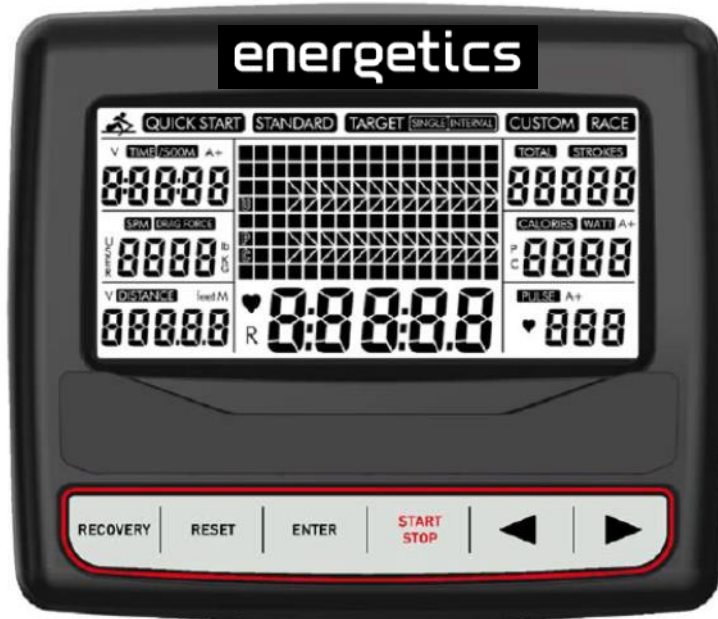
Moving parts, such as the seat, can cause injury. Keep hands clear of the sliding rail during use!

STORAGE GUIDE





GET READY FOR EXERCISE

Before exercising, you need to fill water into the tank. Suggest to follow the **WATER LEVEL** label on the tank to fill in the water to **Level 6** which would offer maximum drag force for users. If water is filled to **Max Fill Level 6**, then you should choose **L6** on the computer for exercise.



POWER ON

The full LCD display will be shown 2 seconds after the installation of batteries. Default setting L6 will be shown on the LCD. If you fill water into tank to Level 6, then just press ENTER to confirm and enter into standby mode. You may choose from L1 to L6   by pressing to select the one that matches the water level you fill then press ENTER to confirm and enter into standby mode.

BUTTON OPERATION

RECOVERY

Press this button to test the pulse recovery for 60 seconds, but user needs to wear chest belt to have the pulse signal input.

RESET

1. Press to return back to the pre-set value in the parameter setting mode, Press again to switch back to program selection.
2. Press to return back to the standby mode in stop mode.
3. Hold for 2 seconds, the computer will reset.

START/STOP

Press to START or STOP training.

ENTER

1. Confirm the selection of program.
2. Confirm the setting of parameter and enter to next parameter setting.
3. Press to switch the function value display during the training.



1. Increase the setting parameter
2. Select the PROGRAM (QUICK、STANDARD、TARGET SINGLE、TARGET INTERVALS、CUSTOM、RACE)



1. Decrease the setting parameter.
2. Select the PROGRAM (QUICK、STANDARD、TARGET SINGLE、TARGET INTERVALS、CUSTOM、RACE)

Remark : Press  to display the function value in the large central display window

	Default	Increment Decrement	Setting range	Display range
TIME	0:00	+/-1	0:00~99:00	0:00 ~ 99:59
DISTANCE	0	+/-100	0 ~ 99900	0 ~ 99999
STROKES	0	+/-10	0 ~ 99990	0 ~ 99999
CALORIES	0	+/-10	0 ~ 9990	0 ~ 9999

Remark: TIME and DISTANCE can't be set at the same time, you may choose either one to set.

FUNCTION DESCRIPTION

TIME: Display the training time.

TIME/500M: The average 500 meter time will automatically display and continuously updated.

SPM: Strokes per minute.

DISTANCE: Display the training distance.

STROKES: Display the current strokes.

TOTAL STROKE: Accumulates total strokes.

CALORIES: Display the consumption calories.

PULSE: Display user's heart rate during the training.



DRAG FORCE: Display the current drag force.

WATT: Display the current watt.

A+: Display the average function value of time, calories, watt and pulse.

HOW TO OPERATE



Power on

The full LCD display will be shown 2 seconds after the installation of batteries. Default setting L6 will be shown on the LCD. If you fill water into tank to Level 6, then just press ENTER to confirm and enter into standby mode. You may choose from L1 to L6   by pressing to select the one that matches the water you fill then press ENTER to confirm and enter into the standby mode.

User may press any button to activate the meter to start exercising.

PROGRAM

There are 6 programs of the computer, QUICK START, STANDARD, TARGET SINGLE, TARGET INTERVAL, CUSTOM and RACE.







1.QUICK START : Press   to choose Quick Start then press START/STOP to start the training.

1-1、 Press ENTER to switch the function value to display in the large middle display during the training.

1-2、 The program profile with 16 columns, each column equals to 100 meter.

2.STANDARD : Press   to choose STANDARD then press ENTER and   to choose one of five training modes: **1) 2000m、 2) 5000m、 3) 10000m、 4) 30:00、 5) 500m/1:00.**

Then press START/STOP to start the training. The select function value will count down, other function value will count up. Press RESET back to standby mode when the preset function value counts down to zero.







3.TARGET SINGLE : Press   to choose TARGET SINGLE then press ENTER and   to choose one of four Single settings: 1) Time、 2) Distance、 3) Calories、 4) Pulse. Then press ENTER to confirm then press   to set target value. Then press START/STOP to start training.



1) Time: Target time 1 ~ 99 minutes can be set for count down exercise.



2) Distance: Target distance 100 ~ 99900m can be set for count down exercise.



3) Calories: Target calories 100 ~ 9990 can be set for count down exercise.





4) Pulse: Target Heart Rate from 90 to 200 Bpm can be set. It will have beep sound if the heart rate is higher than Target Heart Rate. User needs to wear chest belt first for this program.

4.TARGET INTERVALS : Press   to choose TARGET INTERVAL then press ENTER and   to choose one of three Intervals setting modes: 1) Time, 2) Distance, 3) Intervals Variable. Then press ENTER to confirm then press   to set target value. Then press START/STOP to start training.

1) Time: Press   to set the training time then press ENTER to confirm then set the REST TIME. Press START/STOP to start training.

2) Distance: Press   to set the training distance then press ENTER to confirm and set the REST TIME. Press START/STOP to start training.

3) Intervals Variable: Press   to set the training time then press ENTER to confirm and set the training distance. Press ENTER to confirm and set the REST TIME then press START/STOP to start training.







5.CUSTOM : Press   to choose CUSTOM then press ENTER and   to choose one of four Custom modes :1) **V:30/:30R**、 2) **V1:00/1:00R...7**、 3) **V2000m/3:00R...4**、 4) **V1:40/:20R**. then press START/STOP to start training.

1) V :30/:30R : Training 30 seconds, Rest 30 seconds.

2) V1:00/1:00R...7 : Training one minute, Rest one minute, Repeat 7 times.

3) V2000m/3:00R...4 : Training 2000m, Rest three minutes, Repeat 4 times.

4) V1:40/:20R : Training one minute forty seconds, Rest 20 seconds, Repeat 9 times.

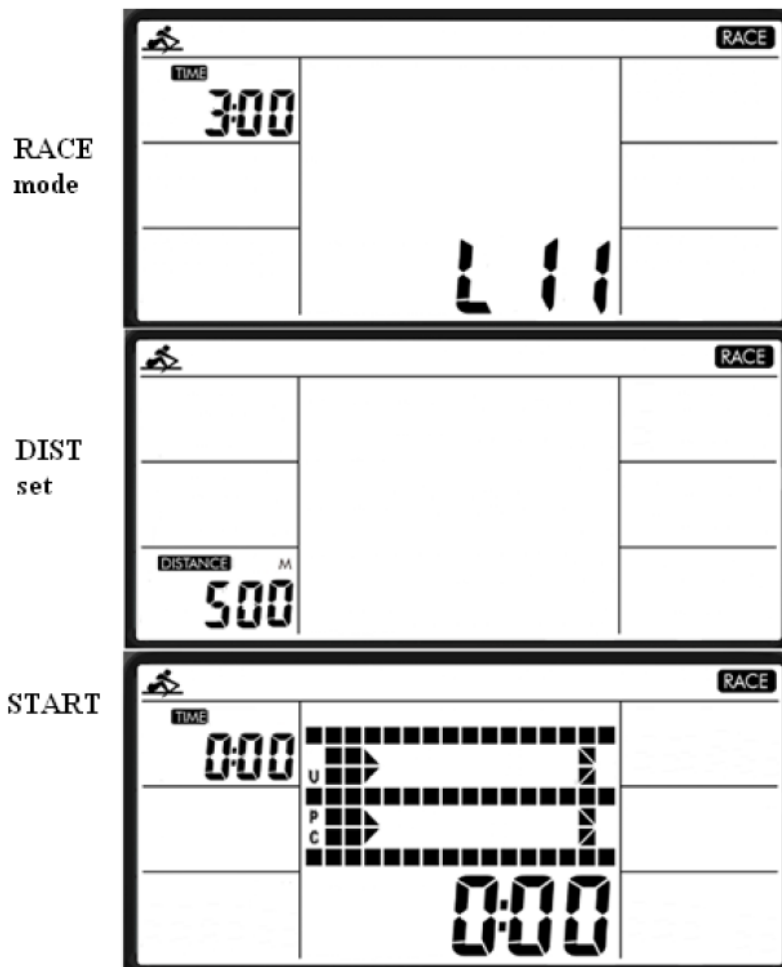
6.RACE : Press   to choose RACE then press ENTER to confirm then press   to select L1~L15. Press ENTER to confirm and enter DISTANCE window, and which will blink. Then press   to set target distance. Then press START to start training.

The dot-matrix will show U and PC graphic to race each other. (That means user will compete with computer)

Once PC or User reaches the end of training, the computer will stop. Dot-matrix will show either PC or USER wins the competition. User may press START / STOP button again to re-start same RACE program.

RACE program Can only set DISTANCE. TIME/500M is fixed and default time setting for L1-L15 is as below. Example for RACE program as below for reference.

L1	8:00		L6	5:30		L11	3:00
L2	7:30		L7	5:00		L12	2:30
L3	7:00		L8	4:30		L13	2:00
L4	6:30		L9	4:00		L14	1:30
L5	6:00		L10	3:30		L15	1:00




7.RECOVERY :

- 1) This meter works with 5.3 KHZ chest belt (not included). After exercising for a period of time, keep wearing chest belt and press "RECOVERY" button. All function displays will stop except "TIME" starts counting down from 00:60 to 00:00.
- 2) Screen will display your heart rate recovery status as F1, F2 or F6.
- 3) F1 is outstanding. F6 is poor. User may keep exercising to improve the heart rate recovery status. (Press RECOVERY button again to return to the main display.)

DISPLAY

TIME window:	Display TIME and TIME/500M A+.
SPM window	Display SPM and Drag force.
DISTANCE window	Display training distance.
STROKE window	Display STROKES and TOTAL STRKOES.
CALORIES window	Display CALORIES and WATT A+.
PULSE window	Display PULSE A+.

To review each function, after starting exercise, press  to enter to one of 6 small windows, for example to SPM window, and the same value will also show at the central big LCD then press ENTER button to interactive display SPM and Drag Force.

NOTE

1. Meter will enter sleep mode after stop training for 4 minutes and all the value will reset to zero automatically except TOTAL STROKES. You may re-press Start/Stop button to start training or press any button to wake up the computer.
2. If the computer displays abnormally, please re-install the battery and try again after 15 seconds.
3. Battery Spec: 1.5V UM-3 or AA (2PCS). The batteries must be removed from the appliance before it is scrapped and that they are disposed of safely.
4. Do not dispose of electrical appliances as unsorted municipal waste, use separate collection facilities.
5. Contact your local government for information regarding the collection systems available.
6. If electrical appliances are disposed of in landfills or dumps, hazardous substances can leak into the groundwater and get into the food chain, damaging your health and well-being.
7. When replacing old appliances with new ones, the retailer is legally obligated to take back your old appliance for disposal at least for free of charge.

Die INTERSPORT ist Mitglied der BSCI (Business Social Compliance Initiative) mit Sitz in Brüssel. Durch diese Mitgliedschaft hat sich das Unternehmen INTERSPORT verpflichtet, die BSCI Verhaltensregeln anzuwenden, was die sozialen Standards in der Wertschöpfungskette betrifft und ist bemüht eine stetige Verbesserung der Arbeitsbedingungen in den Werkstätten der Zulieferer zu erreichen. Das System der BSCI basiert auf 3 Säulen. Die Kontrolle von Verstößen durch ein externes, unabhängiges Prüfungssystem, die Befähigung der Mitglieder der Wertschöpfungskette durch verschiedene Maßnahmen zur Kompetenzentwicklung und die Verpflichtung aller Interessengruppen durch konstruktiven Dialog in Europa und den Zulieferländern. Unsere sozialen Kontrollen werden von neutralen, international anerkannten Prüfungsinstanzen durchgeführt, mit dem Ziel die Einhaltung der sozialen Standards unserer Zulieferfirmen zu überwachen.

Mehr Informationen erhalten Sie unter www.bsci-intl.org.



Normen & Vorschriften

Die Sicherheit des Konsumenten ist die höchste Priorität für unsere ENERGETICS Produkte. Das bedeutet, dass alle unsere Produkte die nationalen und internationalen rechtlichen Bestimmungen erfüllen (z. B. EU Vorschriften (EC No. 1907/2006) bezüglich der Registrierung, Bewertung, Autorisierung und Begrenzung von Chemikalien [REACH]).

Dieses Produkt ist CE zertifiziert und wurde von einem international anerkannten Institut geprüft, ebenso besitzt es das Industriestandard-Zertifikat ISO EN 20957-1, EN 957-7.



Entsorgung von Elektroschrott. (EG Richtlinie 2002/96/EC WEEE):

Alle Produkte mit elektrischen bzw. elektronischen Komponenten müssen mit dieser Markierung gekennzeichnet sein. Diese Produkte dürfen nicht mit dem normalen Hausmüll entsorgt werden. Bitte erkundigen Sie sich über die örtlichen Bestimmungen in Bezug auf deren Entsorgung.



Entsorgung von Batterien (EG Richtlinie 2006/66/EG):

Batterien müssen mit dieser Markierung gekennzeichnet sein und zusätzlich die chemischen Kennzeichnungen Hg, Cd oder Pb führen, sollten diese Quecksilber, Cadmium oder Blei über dem in der EG-Richtlinie angeführten Grenzwert enthalten. Batterien dürfen nicht mit dem normalen Hausmüll entsorgt werden.



EG Richtlinie 2011/65/EU:

Beschränkung im Gebrauch bestimmter Schadstoffe in elektrischen und elektronischen Geräten (RoHS).

RoHS

Sehr geehrte Kundin, sehr geehrter Kunde,

wir gratulieren Ihnen zum Kauf eines ENERGETICS Heimtrainers. Dieses Produkt ist für den Heimbereich konzipiert um den Wünschen und Anforderungen dieses Bedarfs gerecht zu werden. Bitte lesen Sie vor dem Aufbau und dem ersten Gebrauch zunächst sorgfältig diese Anleitung. Bitte bewahren Sie die Anleitung als Referenz und für den richtigen Umgang mit Ihrem Fitness-Gerat auf. Bei weiteren Fragen dazu stehen wir Ihnen selbstverständlich gerne zur Verfügung. Wir wünschen Ihnen viel Spaß und Erfolg bei Ihrem Training.

Ihr ENERGETICS - Team

Produktsicherheit

ENERGETICS Qualitätsprodukte werden konstruiert und getestet um für ein engagiertes Fitness-Training eingesetzt zu werden. Dieses Gerät entspricht der europäischen Norm ISO EN 20957-1, EN 957-7.

Wichtige Sicherheitsvorschriften für alle Fitnessgeräte im Heimbereich

- Dieses Fitnessgerät sollte weder im Freien noch in feuchten Räumen benutzt oder aufbewahrt werden.
- Bevor Sie mit dem Training mit Ihrem Fitnessgerät starten, lesen Sie bitte sorgfältig die Bedienungsanleitung.
- Bitte bewahren Sie die Anleitung auf, falls eine Reparatur notwendig ist oder Sie Ersatzteile benötigen.
- Dieses Fitnessgerät ist nicht für den therapeutischen Einsatz gedacht.
- Konsultieren Sie vor Trainingsbeginn Ihren Arzt, er kann Sie beraten welche Art des Trainings und welche Belastung für Sie geeignet sind.
- Achtung: Falsches oder exzessives Training kann Ihre Gesundheit gefährden. Beenden Sie das Training sofort wenn Sie sich unwohl fühlen.
- Achtung: Der Sicherheitsstand Ihres Fitnessgerätes kann nur gewährleistet werden, wenn es regelmäßig auf Schaden oder Verschleiß überprüft wird.
- Für ein sicheres und effektives Training folgen Sie bitte den Hinweisen in der Trainingsanleitung.
- Beginnen Sie erst mit dem Training, nachdem Sie sichergestellt haben, dass das Fitnessgerät korrekt aufgebaut eingestellt und kontrolliert ist.
- Starten Sie immer mit einer Aufwärm-Phase.
- Verwenden Sie nur die der Lieferung beigelegten ENERGETICS Originalteile (siehe Check-Liste).
- Gehen Sie beim Aufbau des Geräts exakt nach der Montageanweisung vor.
- Verwenden Sie nur geeignetes Werkzeug für die Montage und lassen Sie sich ggf. von einer zweiten Person helfen.
- Stellen Sie das Gerät auf einem ebenen, rutschfesten Untergrund auf, um Instabilität, Geräusche und Vibrationen zu vermeiden und um den Boden vor Beschädigung zu schützen, legen Sie eine Matte unter das Gerät.
- Stellen Sie bei allen verstellbaren Teilen sicher, dass die Maximalpositionen, in die sie verstellt werden können, richtig eingestellt sind.
- Schrauben Sie vor dem Training alle verstellbaren Teile fest, um eine Lockerung während des Trainings zu vermeiden.
- Das Fitnessgerät ist für das Training erwachsener Personen konzipiert. Stellen Sie sicher, dass eine Nutzung des Gerätes von Kindern nur unter Aufsicht von Erwachsenen erfolgt.
- Weisen Sie anwesende Personen auf mögliche Gefährdung, z. B. durch bewegliche Teile, hin.
- Verwenden Sie das Fitnessgerät nicht ohne Schuhe oder mit losem Schuhwerk.
- Beachten Sie die nicht befestigten oder beweglichen Teile während der Montage/Demontage des Heimtrainers.

- Sollten Sie ungewöhnliche Geräusche wahrnehmen, wie schleifen, klappern etc., versuchen Sie diese zu lokalisieren und die Teile die diese verursachen zu identifizieren. Das Fitnessgerät sollte bis eine fachmännische Reparatur stattgefunden hat nicht weiter benutzt werden.
- Dieses Fitnessgerät sollte von Personen (inklusive Kindern), die körperlich, sensorisch oder geistig eingeschränkt sind, oder die fehlende Erfahrung und Wissen über den Umgang mit dem Gerät haben, nur im Beisein einer Aufsichtsperson oder nach erfolgter Trainingseinweisung genutzt werden
- Kinder sollten während des Trainings immer beaufsichtigt sein, damit sie das Fitnessgerät nicht als Spielzeug benutzen.

Der Widerstand kann individuell eingestellt werden, siehe Trainingsanleitung.



Dieses Produkt ist für den Heimgebrauch hergestellt und für ein maximales Benutzergewicht getestet von: siehe Deckblatt oder Produktaufkleber.



Achtung: Pulsmesssysteme können ungenau sein. Überbelastung kann zu Verletzungen und auch Tod führen. Bei Schwächeempfinden sollte das Training unbedingt sofort eingestellt werden.

Reinigung und Instandhaltung Ihres Fitnessgerätes

Wichtig



- Eine regelmäßige Reinigung verlängert die Lebensdauer Ihres Fitnessgerätes.
- Der Gebrauch einer Unterlegmatte für leichtere Reinigung ist empfohlen.
- Benutzen Sie sauberes und für sportliche Aktivitäten ausgelegtes Schuhwerk.
- Reinigen Sie das Fitnessgerät mit einem feuchten Tuch, vermeiden Sie scheuernde Putzmittel sowie Lösungsmittel.
- Achten Sie darauf, dass der Computer nicht in Berührung mit Flüssigkeiten kommt und nicht direkt von der Sonne bestrahlt wird.
- Um Rostbildung zu vermeiden sollte das Fitnessgerät nicht in feuchten Räumen aufbewahrt werden.



- Im Falle einer Reparatur wenden Sie sich bitte an Ihren Händler.
- Wechseln Sie defekte Teile sofort aus oder stellen Sie, bis eine Reparatur erfolgt ist, das Training ein.
- Verwenden Sie im Falle einer Reparatur nur Originalteile.



Täglich



Monatlich



Reinigen Sie das Fitnessgerät von Schweiß sofort nach jedem Training. Auf dem Fitnessgerät belassener Schweiß kann das Äußere beschädigen und die Funktion beeinträchtigen.



Überprüfen Sie alle Verbindungen und Schrauben. Prüfen Sie deren Sitz und Zustand.

Checklist

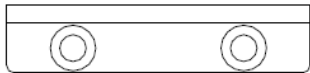
HARDWARE PACKAGE



_____ #19 1pc



_____ #20 1pc



_____ #40 1pc



_____ #59 M8*15 4pcs



_____ #61 M4*12 2pcs



_____ #62 M8*15 4pcs



_____ #68 M8*15 8pcs



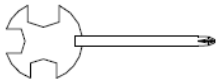
_____ #72 M6*10 2pcs



_____ #74 OD20*ID8.5*1.5 8pcs



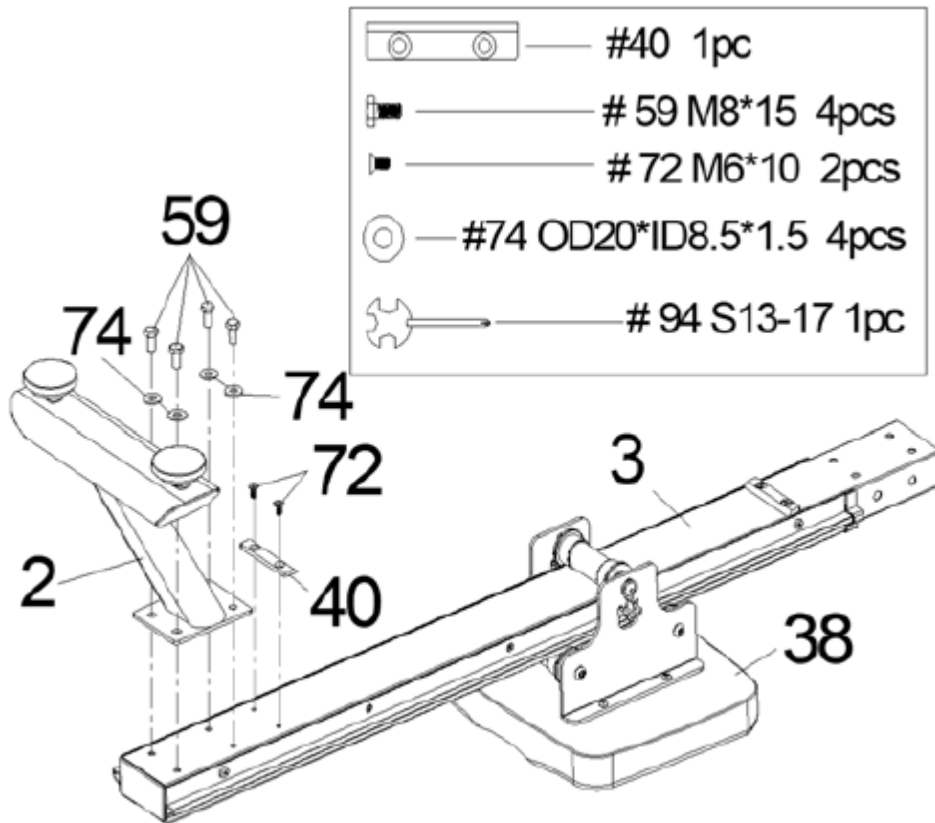
_____ #93 S5 1pc



_____ #94 S13-17 1pc

Montageanleitung

Schritt 1:







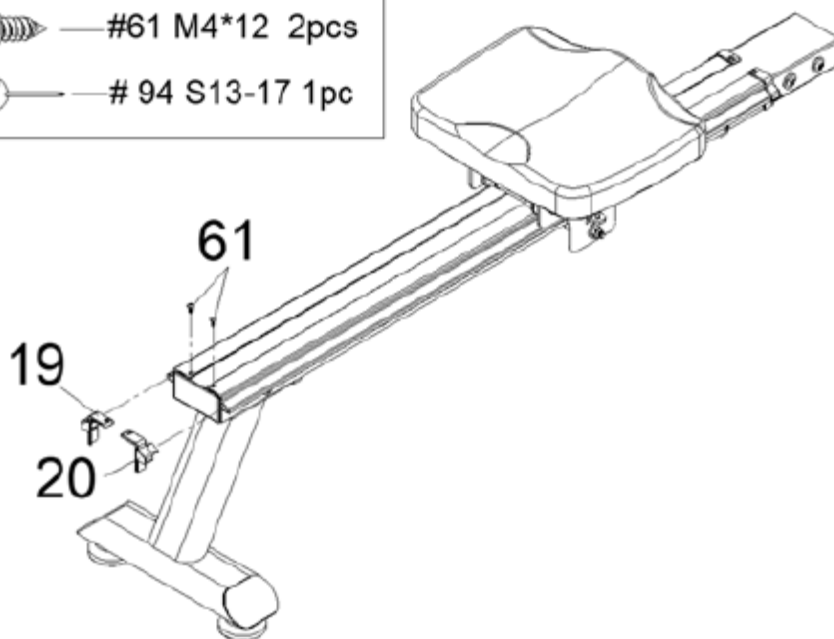
HINWEIS: Wir empfehlen Ihnen, die Montage des Produktes von zwei Personen durchführen zu lassen.

Wie aus der Abbildung ersichtlich, müssen Gleitschiene (3) und Sitz (38) umgedreht werden.

Schieben Sie den Sitz (38) auf die Gleitschiene (3). Befestigen Sie den Begrenzungsbalken (40) mit 2 flachen Kreuzschlitzschrauben (72). Befestigen Sie anschließend den hinteren Stabilisator (2) an der Gleitschiene (3) unter Verwendung von 4 Unterlegscheiben (74) und 4 äußere Sechskantschrauben (59). Mit dem Schraubenschlüssel (94) festziehen.

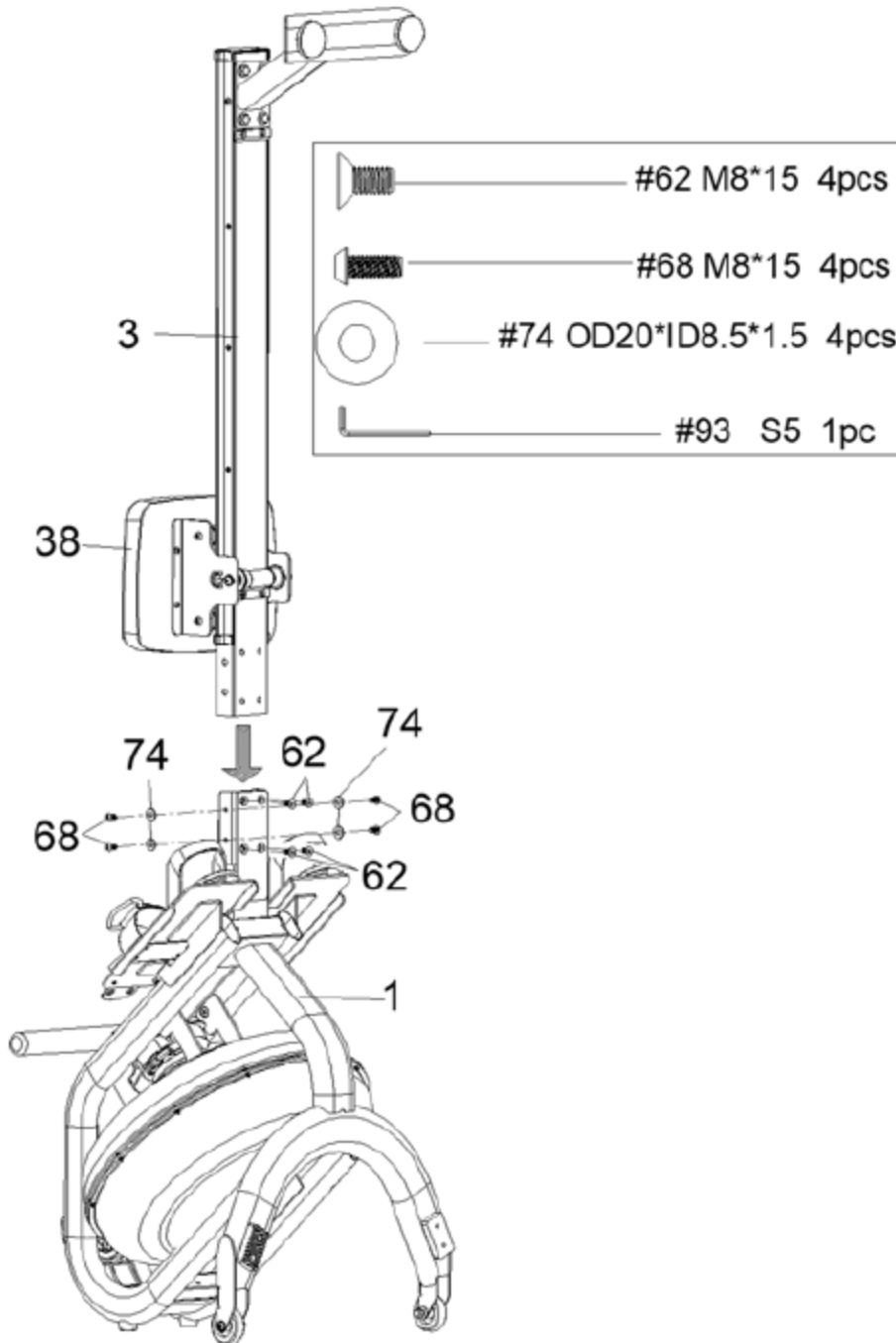
Schritt 2:

	_____	#19	1pc
	_____	#20	1pc
	_____	#61 M4*12	2pcs
	_____	# 94 S13-17	1pc



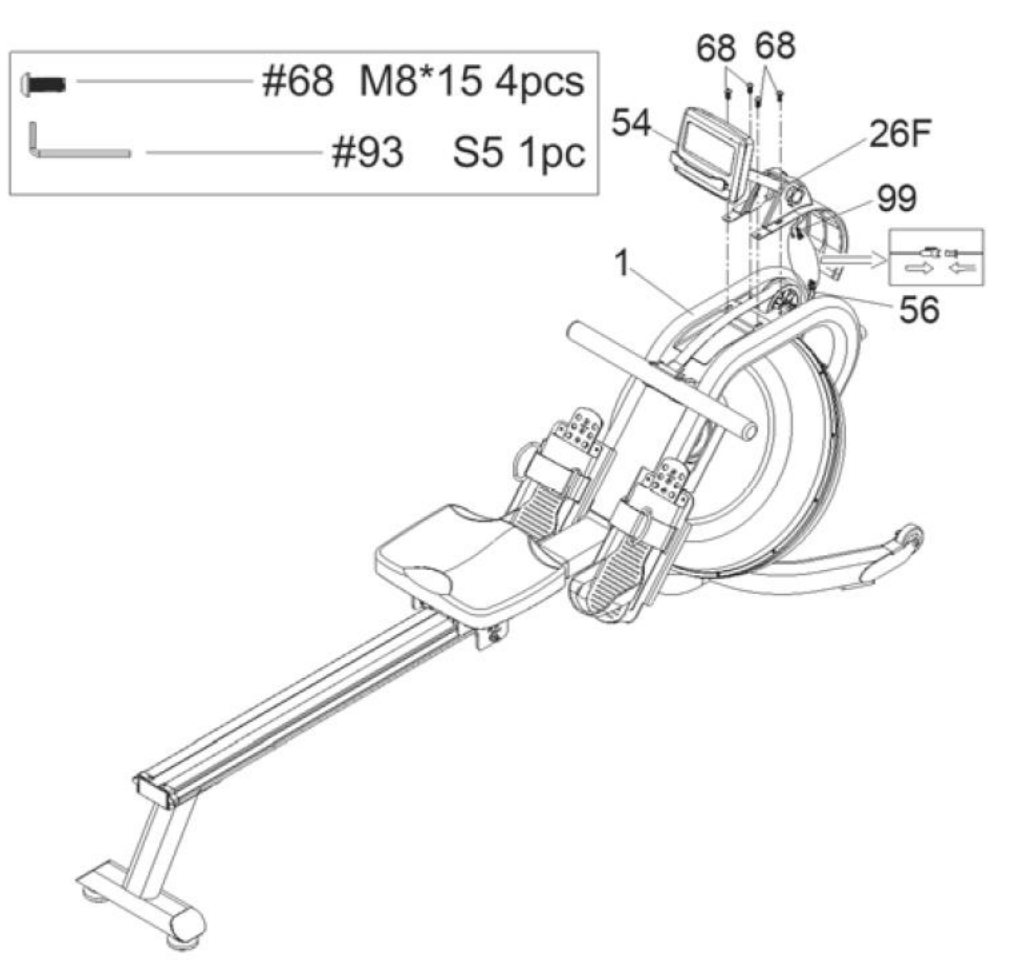
Befestigen Sie die linke/rechte dekorative Abdeckung der Schiene (19 und 20) mit 2 Kreuzschlitzschrauben (61) an der Gleitschiene (3). Mit dem Schraubenschlüssel (94) festziehen.

Schritt 3:



HINWEIS: Vor der Montage muss der Sitz (38) auf der Gleitschiene (3) nach vorne geschoben werden, damit er während der Montage nicht nach unten rutscht. Befestigen Sie die Gleitschiene (3) mit 4 Unterlegscheiben (74), 4 Schrauben (68) und 4 Flachkopfschrauben (62) am Haupttrahmen (1). Setzen Sie zuerst alle 8 Schrauben teilweise in die Löcher ein und ziehen diese dann mit dem Inbusschlüssel (93) fest.

Schritt 4:



Verbinden Sie den Anschlussdraht (99) mit dem Fühlerkabel (56).
Stecken Sie die Abdeckung (26F) in das Loch des Hauptrahmens (1).

Befestigen Sie die Stütze/Halterung des Computers (54) am Hauptrahmen und ziehen diese mit 4 Schrauben (68) fest.

BEFÜLLEN UND ENTLEEREN DES TANKS

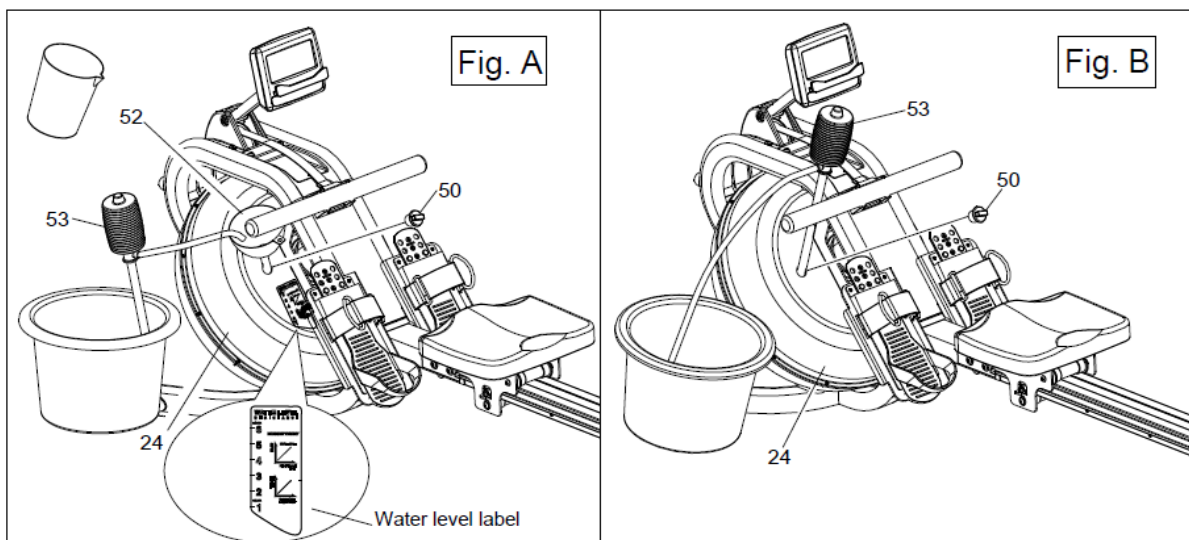
1. Entfernen Sie den Füllstopfen (50) von der oberen Tankabdeckung (24).
2. Hinsichtlich des Befüllens des Tanks mit Wasser siehe Abb. A. Setzen Sie den Trichter (52) in den Tank ein und füllen Sie den Tank unter Verwendung eines Bechers oder der Siphonpumpe (53) und einem Eimer. Verwenden Sie die Wasserstandsanzeige an der Seite des Tanks, um den gewünschten Wasserstand im Tank zu messen.
3. Hinsichtlich des Entleerens des Tanks siehe Abb. B. Stellen Sie einen Eimer neben das Rudergerät und pumpen Sie mit der Siphonpumpe (53) das Wasser aus dem Tank in den Eimer.
4. Anbringen des Füllstopfens (50) an der oberen Tankabdeckung (24). Wischen Sie das überschüssige Wasser vom Rahmen.

HINWEIS

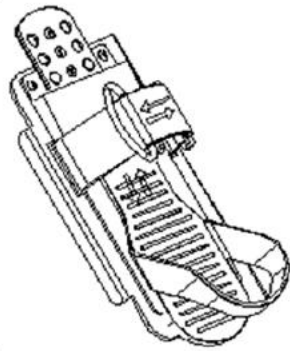
- Füllen Sie den Tank ausschließlich mit Leitungswasser. Fügen Sie 1 Wasserreinigungstablette hinzu (1 Packung ist im Lieferumfang enthalten). Verwenden Sie niemals Chlor oder Chlorbleichmittel. Dadurch wird der Tank beschädigt und die Garantie erlischt.
- Fügen Sie alle 6 Monate oder nach Bedarf eine Wasserreinigungstablette hinzu. Wenn das Wasser weiterhin trüb bleibt, ersetzen Sie das Wasser im Tank.
- Verwenden Sie das Wasser aus dem Tank nicht. Entsorgen Sie das Wasser, nachdem Sie es aus dem Tank abgepumpt haben.

WASSERFÜLLSTAND

- Siehe Abb. A. Die Wasserstandsanzeige befindet sich an der Seite des Tanks. Der maximale Füllstand beträgt 6. Dieser maximale Füllstand darf nicht überschritten werden. Bei Überschreiten dieses maximalen Füllstands erlischt die Garantie.
- Der Widerstand ist abhängig vom Wasserstand im Tank. Bei Wasserfüllstand 1 ist der Widerstandswert am niedrigsten. Bei Wasserfüllstand 6 ist der Widerstandswert am höchsten.



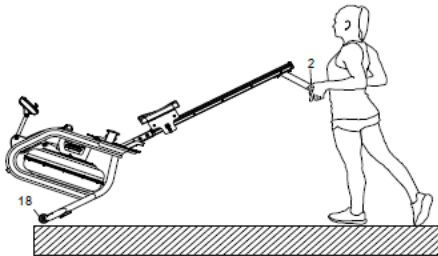
EINSTELLUNGSANLEITUNG



Der Pedalriemen ist verstellbar und kann an die Größe des Fußes des Benutzers angepasst werden.

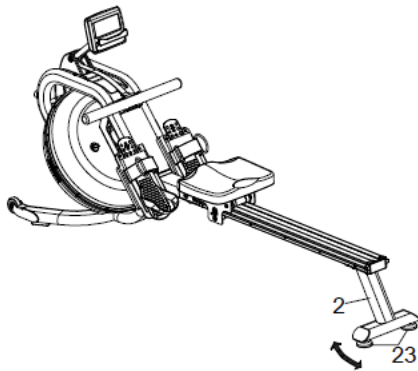
Um den Pedalriemen einzustellen, entfernen Sie das Klettende des Riemens von der Netzseite, indem Sie ihn nach oben und dann nach links ziehen.

Nach dem Entfernen können Sie die Öffnung des Pedalriemens erweitern, indem Sie das Netzende nach oben und rechts ziehen.



BEWEGEN DES GERÄTES

Um das Gerät bewegen zu können, heben Sie die hintere Stütze (2) an, bis die beweglichen Räder (18) am vorderen Stabilisator den Boden berühren. Mit Hilfe der Rollen kann die Maschine problemlos an den gewünschten Einsatzort transportiert werden.



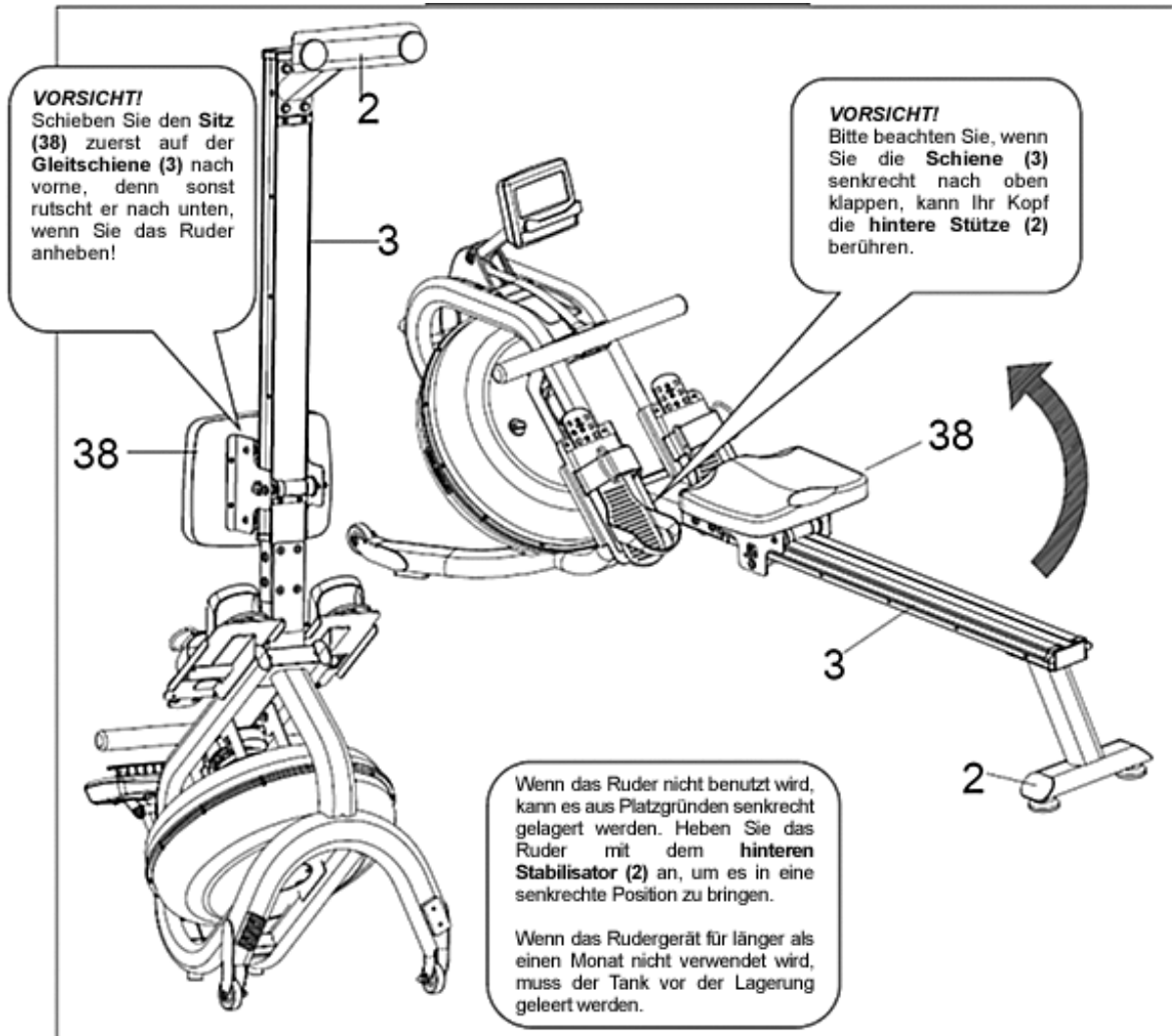
AUSRICHTEN DES GERÄTES

Zum Ausrichten stellen Sie den Stellknopf (23) unter dem Stabilisator an der Rückseite (2) ein.

VORSICHT!

Bei beweglichen Teilen, wie beispielsweise beim Sitz, besteht Verletzungsgefahr. Halten Sie die Hände während der Benutzung von der Gleitschiene fern!

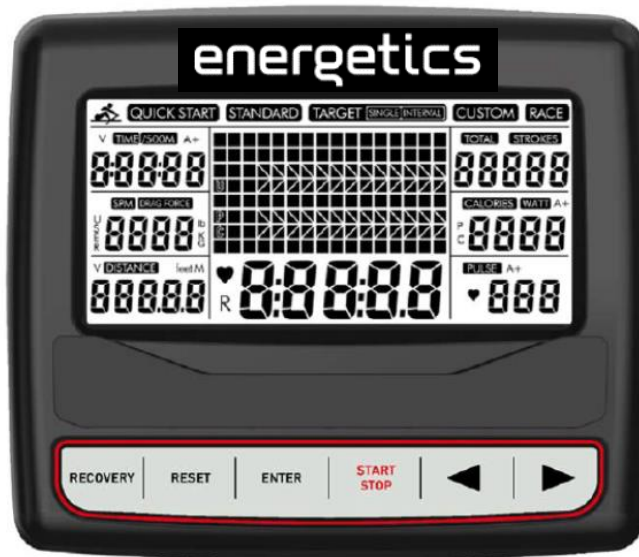
HINWEISE ZUR LAGERUNG



VORBEREITUNG AUF DAS TRAINING

Vor dem Training ist der Tank mit Wasser zu füllen. Es ist empfehlenswert, den WASSERFÜLLSTAND auf dem Tank zu beachten und das Wasser bis Stufe 6 aufzufüllen, die den Benutzern maximale Widerstandskraft bietet. Wenn das Wasser bis zur maximalen Füllstufe 6 gefüllt ist, sollten Sie L6 auf dem Computer zum Trainieren auswählen.

Computeranleitung



EINSCHALTUNG

2 Sekunden nach Installation der Batterien wird das LCD-Display mit allen Funktionen angezeigt. Die Standardeinstellung L6 wird auf dem LCD angezeigt. Wenn Sie Wasser in den Tank bis zur maximalen Füllstufe 6 einfüllen, drücken Sie einfach die EINGABETASTE, um zu bestätigen und in den Standby-Modus zu wechseln. Sie können von L1 bis L6 ◀▶ auswählen, indem Sie jene Taste drücken, die dem Wasserfüllstand entspricht, diese dann durch ENTER (EINGABE) bestätigen und in den Standby-Modus wechseln.

TASTENBEDIENUNG

RECOVERY

Drücken Sie diese Taste, um die Wiederherstellung des Pulses 60 Sekunden lang zu testen, wobei der Benutzer einen Brustgurt tragen muss, damit das Pulssignal übermittelt werden kann.

RESET

1. Drücken Sie diese Taste, um auf den Parameterwert zurückzusetzen, der im Einstellungsmodus eingestellt wurde, und drücken Sie diese Taste erneut, um zur Programmauswahl zurückzukehren.
2. Drücken Sie diese Taste, um im Stopp-Modus in den Standby-Modus zurückzukehren.
3. Halten Sie diese Taste 2 Sekunden lang gedrückt, um den Computer zurückzusetzen.

START/STOP

Drücken Sie, um das Training zu STARTEN oder um es ANZUHALTEN.

ENTER


1. Bestätigen Sie das ausgewählte Programm.
2. Bestätigen Sie die Parametereinstellung und geben Sie die nächste Parametereinstellung ein.
3. Drücken Sie diese Taste, um die Funktionswertanzeige während des Trainings zu wechseln.



1. Erhöhen der eingestellten Parameter.
2. PROGRAMM auswählen (QUICK, STANDARD, TARGET SINGLE, TARGET INTERVALS, CUSTOM, RACE)



1. Verringern der eingestellten Parameter.
2. PROGRAMM auswählen (QUICK, STANDARD, TARGET SINGLE, TARGET INTERVALS, CUSTOM, RACE)

Hinweis : Drücken Sie , um den Funktionswert auf dem großen mittleren Anzeigefenster anzuzeigen.

	Standard	Erhöhen Verringern	Einstellbereich	Anzeigebereich
ZEIT	0:00	+/-1	0:00~99:00	0:00 ~ 99:59
STRECKE:	0	+/-100	0 ~ 99900	0 ~ 99999
RUDERSCHLÄGE	0	+/-10	0 ~ 99990	0 ~ 99999
KALORIEN	0	+/-10	0 ~ 9990	0 ~ 9999

Hinweis: TIME (ZEIT) und DISTANCE (STRECKE) können nicht gleichzeitig eingestellt werden und deshalb wählen Sie jeweils eine der beiden Einstellungen.

FUNKTIONSBESCHREIBUNG

TIME (ZEIT): Anzeige der Trainingszeit.

TIME/500M (ZEIT/500M): Die durchschnittliche Zeit für 500 Meter wird automatisch angezeigt und kontinuierlich aktualisiert.

SPM: Ruderschläge pro Minute

DISTANCE (STRECKE): Anzeige der zurückgelegten Trainingsstrecke.

STROKES (RUDERSCHLÄGE): Anzeige der aktuellen Ruderschläge.

TOTAL STROKE (GESAMTANZAHL AN RUDERSCHLÄGEN): Gesamtanzahl an Ruderschlägen.

CALORIES (KALORIEN): Anzeige der verbrauchten Kalorien.

PULSE (PULS): Anzeige der Herzfrequenz während des Trainings.


DRAG FORCE (ZUGKRAFT): Anzeige der aktuellen Zugkraft.

WATT: Anzeige des aktuellen Wattwerts.

A+: Anzeige des durchschnittlichen Funktionswerts der Zeit, der Kalorien, der Watt und des Pulses.

BETRIEBSANLEITUNG


Einschaltung

2 Sekunden nach Installation der Batterien wird das LCD-Display mit allen Funktionen angezeigt. Die Standardeinstellung L6 wird auf dem LCD angezeigt. Wenn Sie Wasser in den Tank bis zur maximalen Füllstufe 6 einfüllen, drücken Sie einfach die EINGABETASTE, um zu bestätigen und in den Standby-Modus zu wechseln. Sie können von L1 bis L6  auswählen, indem Sie jene Taste drücken, die dem Wasserfüllstand entspricht, diese dann durch ENTER (EINGABE) bestätigen und in den Standby-Modus wechseln.

Der Benutzer kann eine beliebige Taste drücken, um den Computer zu aktivieren und mit dem Training zu beginnen.



PROGRAMM

Auf dem Computer sind 6 Programme verfügbar: QUICK START, STANDARD, TARGET SINGLE, TARGET INTERVAL, CUSTOM und RACE.




1. QUICK START (SCHNELLSTART): Drücken Sie , um Quick Start zu aktivieren und anschließend auf START/STOP, um mit dem Training zu beginnen.

1-1、 Drücken Sie auf ENTER, um den Funktionswert zu wechseln, der während des Trainings im großen mittleren Display angezeigt wird.

1-2、 Das Programmprofil verfügt über 16 Balken, wobei jeder Balken 100 Meter entspricht.

2. STANDARD: Drücken Sie  um STANDARD auszuwählen und anschließend ENTER und  um einen der fünf Trainingsmodi auszuwählen. **1) 2.000 m、 2) 5.000 m、 3) 10.000 m、 4) 30:00、 5) 500 m/1:00.**

Drücken Sie START/STOP, um mit dem Training zu beginnen. Der ausgewählte Funktionswert wird heruntergezählt und ein anderer Funktionswert wird aufwärts gezählt. Drücken Sie RESET zurück in den Standby-Modus, wenn der voreingestellte Funktionswert auf null heruntergezählt wurde.




3. TARGET SINGLE: Drücken Sie  um TARGET SINGLE auszuwählen und anschließend ENTER und  um einen der fünf Trainingsmodi auszuwählen. 1) Zeit、 2) Strecke、 3) Kalorien、 4) Puls. Drücken Sie dann auf ENTER, um zu bestätigen und dann auf  um den Zielwert einzustellen. Drücken Sie START/STOP, um mit dem Training zu beginnen.


1) Zeit: Es kann eine Vorgabezeit zwischen 1 und 99 Minuten eingestellt werden, die heruntergezählt wird.


2) Strecke: Es kann eine Zielstrecke zwischen 100 und 99.900 m eingestellt werden, die heruntergezählt wird.


3) Kalorien: Es kann ein Zielwert für die Kalorien zwischen 100 und 9.990 eingestellt werden, der heruntergezählt wird.



4) Puls: Es kann eine angestrebte Herzfrequenz zwischen 90 und 200 Bpm eingestellt werden. Sobald die Herzfrequenz diesen Wert überschreitet, ertönt ein Signalton. Der Benutzer muss für dieses Programm einen Brustgurt tragen.

4. TARGET INTERVALS: Drücken Sie  um TARGET INTERVAL auszuwählen und anschließend ENTER und  um einen der drei Intervallmodi auszuwählen. 1) Zeit, 2) Strecke, 3) Intervallvariable. Drücken Sie ENTER, um zu bestätigen und  um den Zielwert einzustellen. Drücken Sie START/STOP, um mit dem Training zu beginnen.

1) Zeit: Drücken Sie  um die Trainingszeit auszuwählen und anschließend ENTER, um die REST TIME (RUHEPAUSE) einzustellen. Drücken Sie START/STOP, um mit dem Training zu beginnen.

2) Strecke: Drücken Sie  um die Trainingsstrecke auszuwählen und dann ENTER, um die REST TIME einzustellen. Drücken Sie START/STOP, um mit dem Training zu beginnen.

3) Intervallvariable: Drücken Sie  um die Trainingszeit auszuwählen und bestätigen dann mit ENTER und stellen Ihre Trainingsstrecke ein. Bestätigen Sie mit ENTER und stellen die REST TIME ein und drücken anschließend START/STOP, um mit dem Training zu beginnen.




5. CUSTOM: Drücken Sie  um CUSTOM auszuwählen und bestätigen anschließend mit ENTER und drücken  um einen der benutzerdefinierten Modi auszuwählen: **1) V:30/:30R**, **2) V1:00/1:00R...7**, **3) V2000 m/3:00R...4**, **4) V1:40/:20R** und drücken danach auf START/STOP, um mit dem Training zu beginnen.

1) V:30/:30R : 30 Sekunden Training, 30 Sekunden Pause.

2) V1:00/1:00R...7 : 1 Minute Training, 1 Minute Pause und dies siebenmal wiederholen.

3) V2000 m/3:00R...4 : 2.000 m Training, drei Minute Pause, viermal wiederholen.

4) V1:40/:20R : Eine Minute und vierzig Sekunden Training, 20 Sekunden Pause und dies neunmal wiederholen.

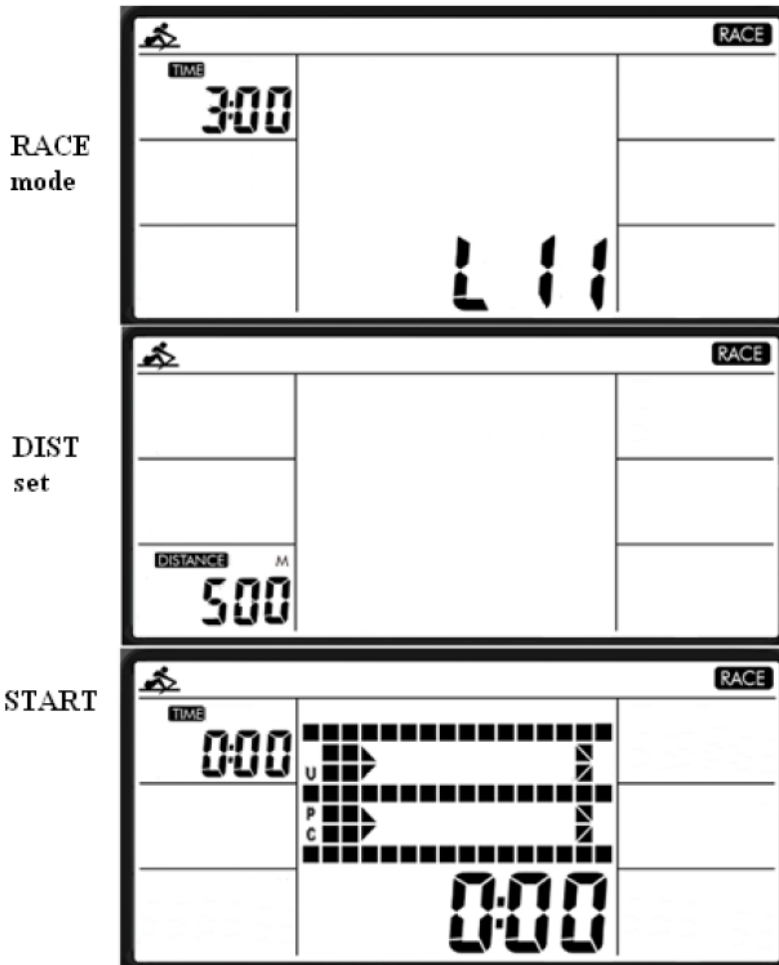
6. RACE (RENNEN): Drücken Sie  um RACE auszuwählen und bestätigen Sie mit ENTER, anschließend drücken Sie  um L1 bis L15 auszuwählen. Drücken Sie ENTER, um zu bestätigen und geben Sie das blinkende Fenster über die DISTANCE (STRECKE) ein. Drücken sie anschließend  um die Zielstrecke einzustellen. Drücken Sie anschließend auf START und beginnen mit dem Training.

Die Punktmatrix zeigt die U- und PC-Grafik an, die gegeneinander antreten. (Dies bedeutet, dass der Benutzer gegen den Computer konkurriert.)

Sobald der PC oder der Benutzer das Ende des Trainings erreicht hat, stoppt der Computer. Die Punktmatrix zeigt an, wer den Wettbewerb gewonnen hat - der PC oder der USER (Benutzer). Der Benutzer kann die Taste START/STOP erneut drücken, um dasselbe RACE-Programm RACE neu zu starten.

RACE-Programm – Hierbei kann nur die Strecke eingestellt werden. TIME/500 M ist ein fester Wert und die Standard-Zeiteinstellung für L1 bis L15 ist nachfolgend angegeben. Beispiel für ein RACE-Programm, das nachfolgend als Referenz angegeben ist.

L1	8:00		L6	5:30		L11	3:00
L2	7:30		L7	5:00		L12	2:30
L3	7:00		L8	4:30		L13	2:00
L4	6:30		L9	4:00		L14	1:30
L5	6:00		L10	3:30		L15	1:00




7.RECOVERY :

- 1) Dieser Computer arbeitet mit einem 5,3 kHz Brustgurt (nicht im Lieferumfang enthalten). Drücken Sie nach dem Training auf die RECOVERY Taste, der Brustgurt muß weiterhin getragen werden. Alle Funktionsanzeigen werden angehalten, außer „TIME“, wobei dieser Wert von 00:60 auf 00:00 heruntergezählt wird.
- 2) Auf dem Bildschirm wird der Wiederherstellungsstatus Ihrer Herzfrequenz angezeigt als F1, F2 oder F6.
- 3) F1 ist hervorragend. F6 entspricht einem schlechten Zustand. Der Benutzer kann weiter trainieren, um den Status der Herzfrequenzwiederherstellung zu verbessern. (Drücken Sie erneut die RECOVERY-Taste, um zur Hauptanzeige zurückzukehren.)

ANZEIGE

TIME (ZEIT):	Anzeige der ZEIT und der ZEIT/500M A+.
SPM (Ruderschläge pro Minute)	Anzeige der SPM und der Zugkraft.
DISTANCE (STRECKE)	Anzeige der Trainingsstrecke.
STROKE (RUDERSCHLAG)	Anzeige der RUDERSCHLÄGE und der GESAMTANZAHL AN RUDERSCHLÄGEN.
CALORIES (KALORIEN)	Anzeige der KALORIEN und der WATTWERT A+.
PULSE (PULS)	Anzeige des PULS A+.

Um jede Funktion zu überprüfen, drücken Sie nach Beginn der Übung  um zu einem von 6 kleinen Fenstern zu gelangen, z.B. zum SPM-Fenster, wobei der gleiche Wert auch auf dem zentralen großen LCD angezeigt wird; anschließend drücken Sie ENTER, um SPM und Zugkraft anzuzeigen.

HINWEIS

1. Wenn das Training für vier Minuten gestoppt wird, wechselt der Computer in den Ruhemodus und alle Werte außer der TOTAL STROKES (GESAMTANZAHL AN RUDERSCHLÄGEN) werden automatisch zurückgesetzt. Sie können die Taste START/STOP erneut drücken, um mit dem Training zu beginnen oder eine beliebige Taste drücken, um den Computer wieder aus dem Ruhemodus zu aktivieren.
2. Wenn die Computeranzeige nicht normal dargestellt wird, setzen Sie die Batterien erneut ein und versuchen Sie es nach 15 Sekunden noch einmal.
3. Technische Daten der Batterie: 1,5V UM-3 oder AA (2 STÜCK). Die Batterien müssen aus dem Gerät entfernt werden bevor das Gerät verschrottet wird, damit sie sicher entsorgt werden können.
4. Entsorgen Sie Elektrogeräte nicht als unsortierten Siedlungsabfall, sondern verwenden hierfür separate Sammeleinrichtungen.
5. Informationen über die verfügbaren Sammelsysteme erhalten Sie von Ihrer örtlichen Regierung.
6. Für den Fall, dass Elektrogeräte auf Müllhalden oder Abfalldeponien entsorgt werden, können gefährliche Substanzen in das Grundwasser einsickern und in die Nahrungskette gelangen, was Ihre Gesundheit und Ihr Wohlbefinden schädigt.
7. Wenn Sie alte Geräte durch neue ersetzen, ist der Händler gesetzlich dazu verpflichtet, Ihr altes Gerät kostenlos zur Entsorgung zurückzunehmen.

Společnost INTERSPORT se zapojila do iniciativy BSCI (Business Social Compliance Initiative) založené v Bruselu. Prostřednictvím iniciativy BSCI se společnost INTERSPORT zavazuje zavést ve svém dodavatelském řetězci Kodex chování BSCI a postupně zajišťovat zlepšování pracovních podmínek na pracovištích svých dodavatelů. Systém BSCI stojí na třech pilířích: monitoring neshod s požadavky prováděný formou externích nezávislých auditů; zmocňování účastníků dodavatelského řetězce prostřednictvím různých činností zaměřených na budování kapacit; zapojování všech příslušných zainteresovaných osob cestou konstruktivního dialogu vedeného v Evropě a dodavatelských zemích. Naše sociální audity jsou prováděny neutrálními mezinárodně uznávanými auditorskými společnostmi za účelem monitoring sociální odpovědnosti podniků našich dodavatelů.

Další informace o BSCI naleznete na stránkách: www.bsci-intl.org



Normy a předpisy

Bezpečnost spotřebitele je nejvyšší prioritou výrobků ENERGETICS. To znamená, že všechny naše výrobky splňují požadavky vnitrostátních i mezinárodních právních předpisů (např. evropské nařízení (ES č. 1907/2006) o registraci, hodnocení, povolování a omezování chemických látek [REACH]).

Tento výrobek také získal certifikaci CE, byl testován mezinárodně uznávaným institutem a získal certifikaci podle průmyslové normy ISO EN 20957-1, EN 957-7.



Likvidace elektrického odpadu (Směrnice č. 2002/96/ES WEEE):

Všechny výrobky, které obsahují elektrická a elektronická zařízení, musí být označeny logem. Tyto výrobky se nesmí vyhazovat do komunálního odpadu. Seznamte se s místními předpisy týkajícími se tohoto typu výrobků.



Likvidace baterií (Směrnice č. 2006/66/ES):

Baterie musí být označeny logem včetně chemických značek Hg, Cd nebo Pb, pokud obsah rtuti, kadmia nebo olova v baterii překračuje mezní hodnotu uvedenou v této směrnici a jejích dodatcích. Baterie se nesmí vyhazovat do komunálního odpadu.



Směrnice č. 2011/65/EU:

Omezení používání některých nebezpečných látek v elektrických a elektronických zařízeních (RoHS).

RoHS

Vážený zákazník,

gratuluje vám k zakoupení domácího cvičebního zařízení ENERGETICS. Tento výrobek byl navržen a vyroben tak, aby vyhovoval potřebám a požadavkům domácího použití. Pečlivě si přečtěte montážní a uživatelskou příručku. Tyto pokyny uschovejte pro pozdější použití a údržbu. V případě dalších dotazů nás prosíme kontaktujte. Přejeme vám mnoho úspěchů a zábavy při cvičení.

Váš tým ENERGETICS

Bezpečnost výrobku

Společnost ENERGETICS nabízí vysoce kvalitní zařízení pro domácí cvičení. Všechny výrobky byly zkoušeny a certifikovány v souladu s aktuálními nároky evropské normy ISO EN 20957-1, EN 957-7.

Důležité bezpečnostní pokyny pro všechna zařízení pro domácí cvičení

- Zařízení nesestavujte a nepoužívejte venku nebo na místech s vysokou vlhkostí.
- Před začátkem cvičení si pozorně přečtěte pokyny.
- Tento návod uschovejte pro informace, pro případ opravy nebo pro objednávku náhradních dílů.
- Toto cvičební zařízení není vhodné pro léčebné účely.
- Před zahájením cvičebního programu konzultujte s lékařem optimální tréninkovou zátěž.
- Varování: nesprávné/nadměrné cvičení může vést k újmě na zdraví. Necítíte-li se při cvičení dobře, přestaňte zařízení používat.
- Varování: Bezpečnost cvičebního zařízení lze zaručit pouze pod podmínkou provádění pravidelných kontrol opotřebení či poškození výrobku.
- Postupujte podle pokynů pro cvičení.
- Cvičit začnete až po dokončení montáže, seřízení a kontrole zařízení.
- Samotné cvičení vždy zahajte rozcvičkou.
- Používejte pouze originální díly ENERGETICS (viz seznam dílů).
- Důsledně dodržujte pokyny v montážním návodu.
- Při montáži používejte vhodné nástroje. V případě potřeby požádejte o pomoc.
- Zařízení umístěte na rovný, neklouzavý povrch, zabráníte tím pohybu zařízení, snížíte hluk a vibrace.
- Podlahu či koberec uchráníte před poškozením vložením podložky pod výrobek.
- Nastavitelné části seřizujte pouze v povolených limitech.
- Všechny nastavitelné části pevně dotáhněte, aby nedošlo k náhlému pohybu při tréninku.
- Tento výrobek je určen pro dospělé uživatele. Děti smí výrobek používat pouze pod dohledem dospělé osoby.
- Osoby pohybující se v okolí zařízení musí znát možná rizika, např. pohyblivé díly při tréninku.
- Zařízení nepoužívejte bosí.
- Při montáži nebo demontáži zařízení dávejte pozor na neupevněné či pohyblivé díly.
- Najděte zdroj hluku: Zaznamenáte-li neobvyklé zvuky, jako je skřípot, rachocení atd., pokuste se určit jejich původ a kopravě přizvěte odborníka. Do provedení opravy zařízení nepoužívejte.
- Zařízení není určeno pro osoby (včetně dětí) se sníženými fyzickými, smyslovými či mentálními schopnostmi nebo osoby s nedostatkem zkušeností s používáním zařízení nebo souvisejících znalostí, nejsou-li pod dohledem jiné osoby odpovídající za jejich bezpečí nebo jim předem nebyly vydány příslušné pokyny.
- Děti mohou zařízení používat pouze v přítomnosti dospělé osoby, aby zařízení nebylo používáno ke hraní.

Stupeň odporu lze upravit podle libosti: viz obsluha.



Tento výrobek je určen výhradně pro domácí použití a je testován na maximální tělesnou váhu: viz přední strana nebo štítek na výrobku.



VAROVÁNÍ: Systémy měření tepu mohou být nepřesné. Nadměrné cvičení může způsobit závažné zranění nebo smrt. Při pocitu nevolnosti okamžitě přestaňte cvičit.

Čištění zařízení, péče o něj a údržba

Důležité



- Pravidelné čištění cvičebního zařízení prodlouží jeho životnost.
- Pro snadné čištění doporučujeme použití podložky pod cvičební zařízení.
- Používejte pouze čistou a vhodnou sportovní obuv.
- K čištění zařízení použijte vlhký hadřík. Nepoužívejte abrazivní prostředky nebo rozpouštědla.
- V blízkosti počítače nepoužívejte tekutiny a chraňte počítač před přímým slunečním zářením.
- Domácí cvičební zařízení nesmí být používáno ani skladováno v prostorách s vysokou vlhkostí z důvodu možného vzniku koroze.



- V případě nutné opravy se obraťte na prodejce.
- Vadné součásti vyměňte okamžitě a/nebo zařízení nepoužívejte do provedení opravy.
- Pro opravy používejte pouze originální náhradní díly.



Denně



Měsíčně



Pot setřete okamžitě; pot může poškodit vzhled a narušit správné fungování domácího cvičebního zařízení.



Zkontrolujte, zda jsou všechny spojovací prvky pevně uchyceny a v dobrém stavu.

Checklist

HARDWARE PACKAGE



_____ #19 1pc



_____ #20 1pc



_____ #40 1pc



_____ #59 M8*15 4pcs



_____ #61 M4*12 2pcs



_____ #62 M8*15 4pcs



_____ #68 M8*15 8pcs



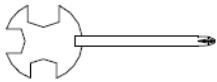
_____ #72 M6*10 2pcs



_____ #74 OD20*ID8.5*1.5 8pcs



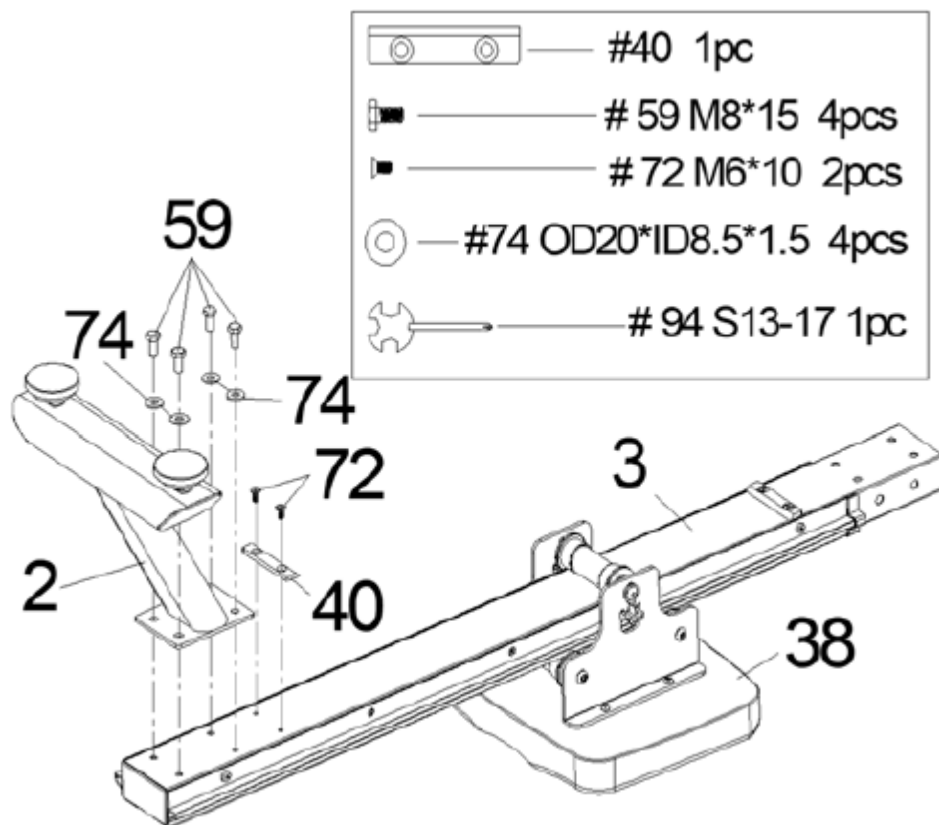
_____ #93 S5 1pc



_____ #94 S13-17 1pc

Montážní návod

Krok 1







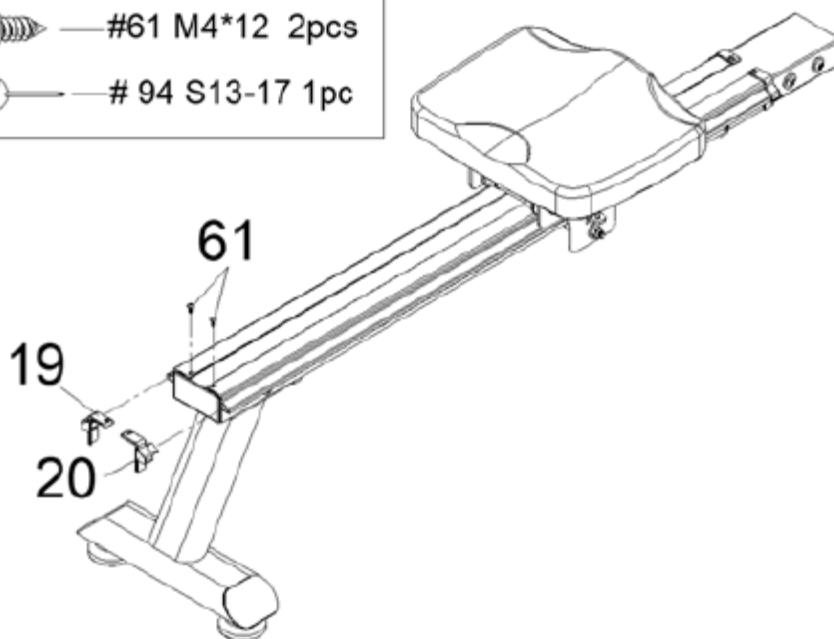
POZNÁMKA: Pro sestavení výrobku doporučujeme mít k dispozici 2 osoby.

Otočte pojezd (č. 3) a sedátko (č. 38) podle obrázku.

Nasuňte sedátko (č. 38) na pojezd (č. 3). Zajistěte koncovou podložku (č. 40) dvěma plochými křížovými šrouby (č. 72). Poté připevněte zadní stabilizátor (č. 2) k pojezdu (č. 3) pomocí 4 podložek (č. 74) a 4 vnějších šestihranných šroubů (č. 59). Utáhněte pomocí klíče (č. 94).

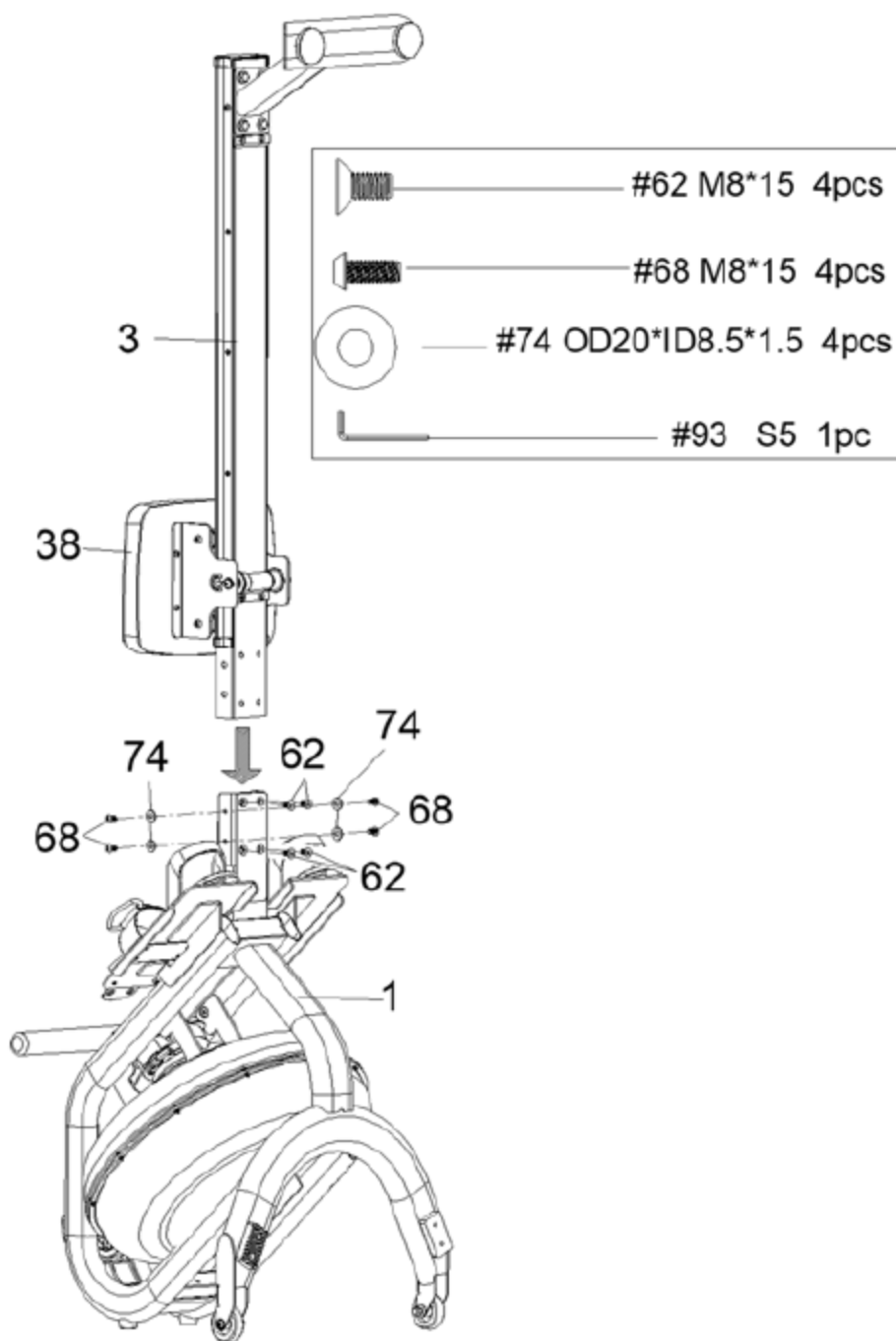
Krok 2

	_____	#19	1pc
	_____	#20	1pc
	_____	#61 M4*12	2pcs
	_____	# 94 S13-17	1pc



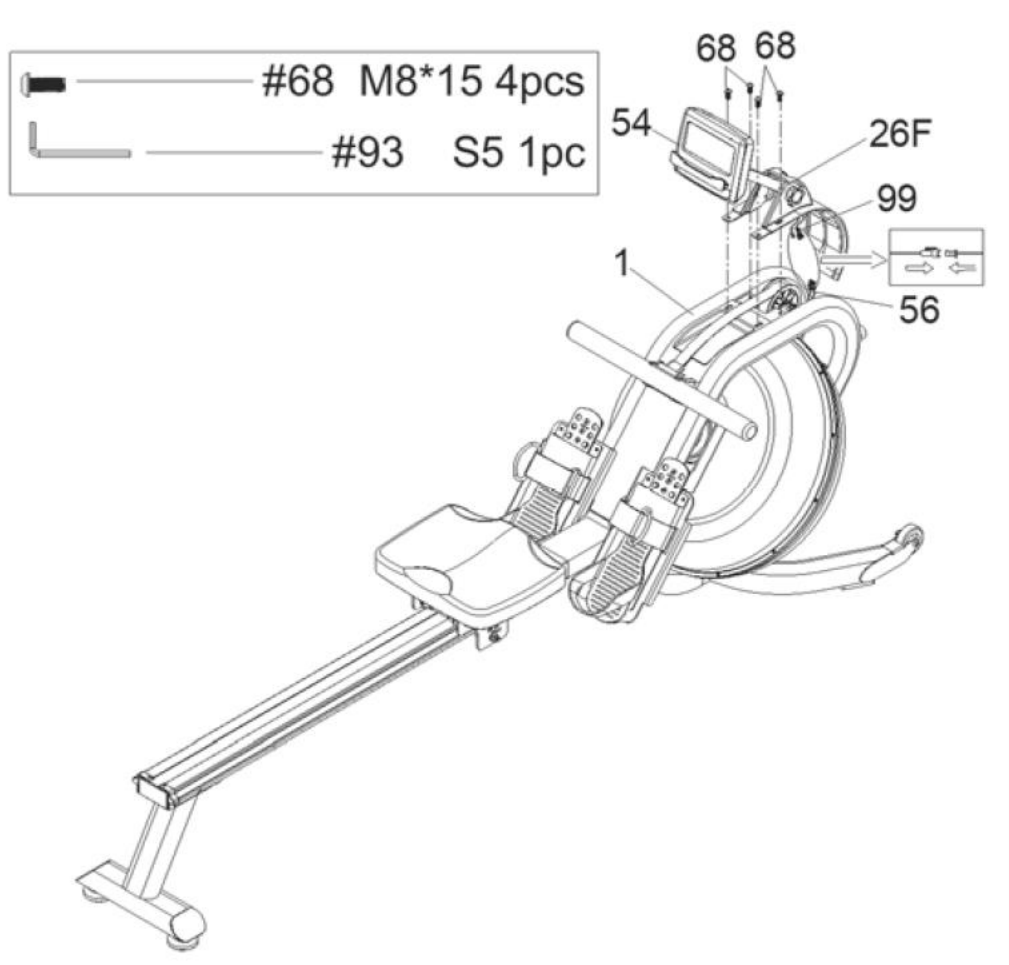
Pomocí dvou křížových šroubů (č. 61) upevněte k pojezdu (č. 3) levý/pravý dekorativní kryt pojezdu (č. 19 a 20). Utáhněte pomocí klíče (č. 94).

Krok 3



POZNÁMKA: Před montáží posuňte sedátko (č. 38) do přední části pojezdu (č. 3), aby během montáže nesklouzlo. Pojezd (č. 3) připevněte k hlavnímu rámu (č. 1) pomocí 4 podložek (č. 74), 4 šroubů (č. 68) a 4 plochých šroubů (č. 62). Nejprve vložte všech 8 šroubů do otvorů a poté je utáhněte pomocí imbusového klíče (č. 93).

Krok 4



Připojovací vodič (č. 99) připojte k vodiči senzoru (č. 56).

Přední ozdobný kryt (č. 26F) zasuňte do otvoru hlavního rámu (č. 1).

Připojte podpěru/držák počítače (č. 54) k hlavnímu rámu, utáhněte 4 šrouby (č. 68).

JAK NAPLNIT A VYPRÁZDNIT NÁDRŽ

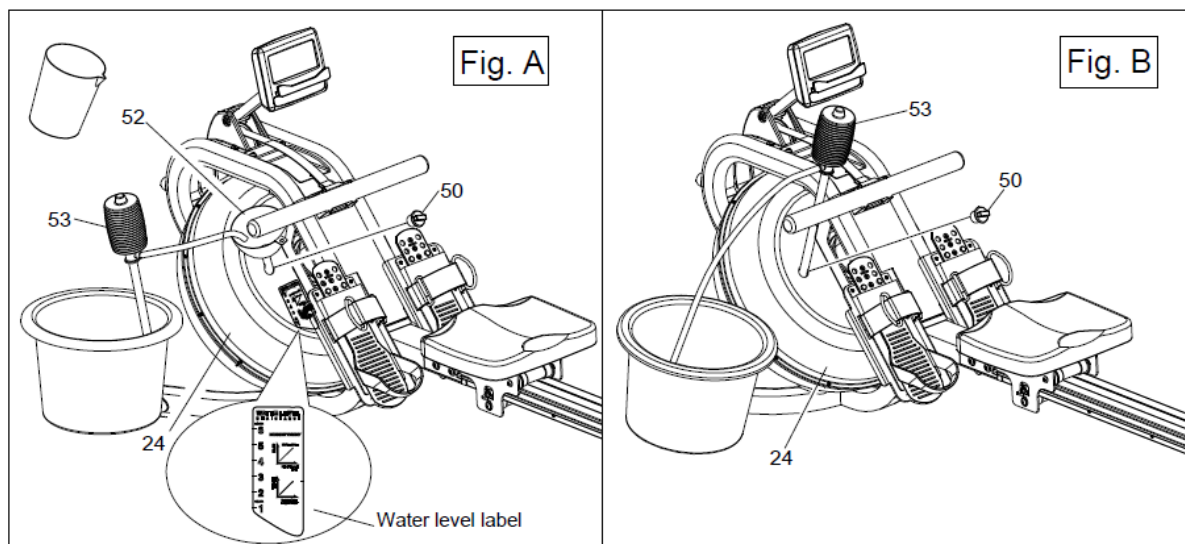
1. Odstraňte zátku (č. 50) z víka horní nádrže (č. 24).
2. Chcete-li naplnit nádrž vodou, viz obr. A. Vložte do nádrže nálevku (č. 52), poté k plnění nádrže použijte kelímek nebo sifonové čerpadlo (č. 53) a kbelík. Pomocí ukazatele hladiny na boku nádrže změřte požadovanou hladinu vody v nádrži.
3. Chcete-li nádrž vyprázdnit, viz obr. B. Postavte vedle veslařského trenažeru kbelík a pomocí sifonového čerpadla (č. 53) odčerpajte vodu z nádrže do kbelíku.
4. Vložte zátku (č. 50) na horním krytu nádrže (č. 24). Otřete přebytečnou vodu z rámu.

POZNÁMKA

- Nádrž plňte pouze vodou z vodovodu. Přidejte 1 tabletu na čištění vody (1 balení je součástí dodávky). Nikdy nepoužívejte bazénový chlor ani chlorové bělidlo. Došlo by k poškození nádrže a zneplatnění záruky.
- Tabletou na čištění vody přidávejte každých 6 měsíců nebo podle potřeby. Pokud voda v nádrži zůstává zakalená, vyměňte ji.
- Vodu z nádrže nepoužívejte ke konzumaci. Po přečerpání z nádrže vodu zlikvidujte.

HLADINA VODY

- Viz obr. A. Ukazatel hladiny vody se nachází na boku nádrže. Maximální úroveň naplnění je 6. Nikdy nádrž nenaplňujte nad tento limit. Naplnění nádrže nad tento limit ruší platnost záruky.
- Odpor závisí na hladině vody v nádrži. Výška hladiny na úrovni 1 znamená nejnižší odpor. Úroveň 6 je pro nejvyšší odpor.



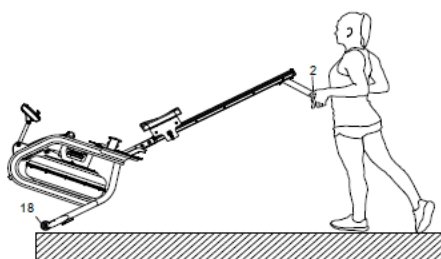
PŘÍRUČKA PRO NASTAVENÍ



Pedálový popruh je nastavitelný a lze jej přizpůsobit podle velikosti chodidla uživatele.

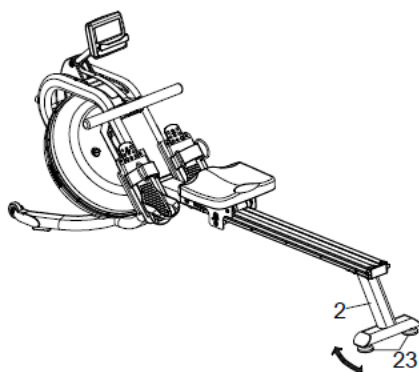
Chcete-li upravit pedálový popruh, odpojte konec suchého zipu a zatáhněte za něj nahoru a doleva.

Po odpojení můžete zvětšit otvor pedálového popruhu zatažením za konec nahoru a doprava.



PŘEMÍSTĚNÍ STROJE

Chcete-li stroj přesunout, zvedněte zadní opěru (č. 2), dokud se pohyblivá kola (č. 18) na předním stabilizátoru nedotknou země. Pomocí kol můžete stroj snadno přepravit na požadované místo.



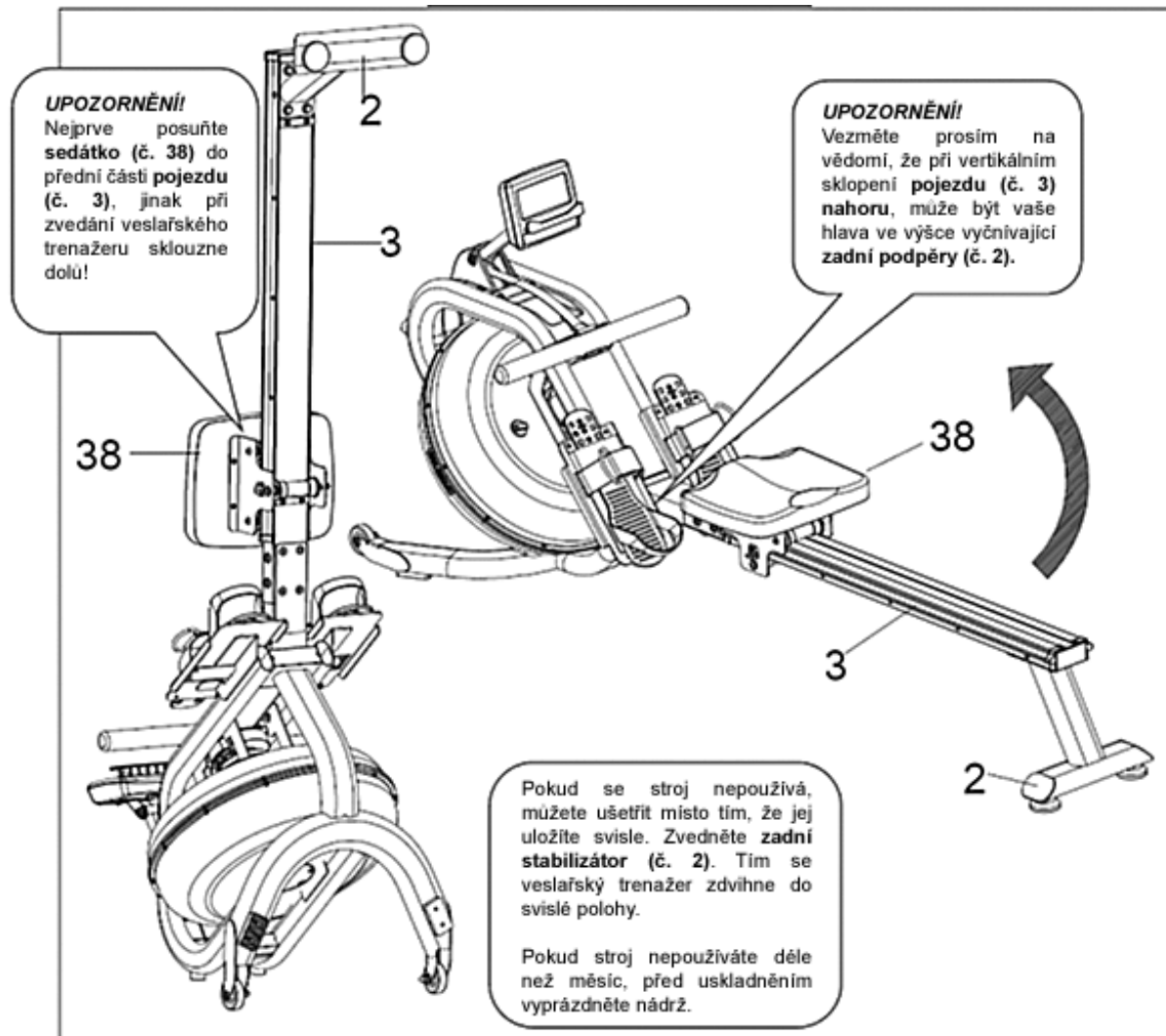
VYROVNÁNÍ STROJE

Stroj se vyrovnává vyrovnávacím kolečkem (č. 23) pod zadním stabilizátorem (č. 2).

UPOZORNĚNÍ

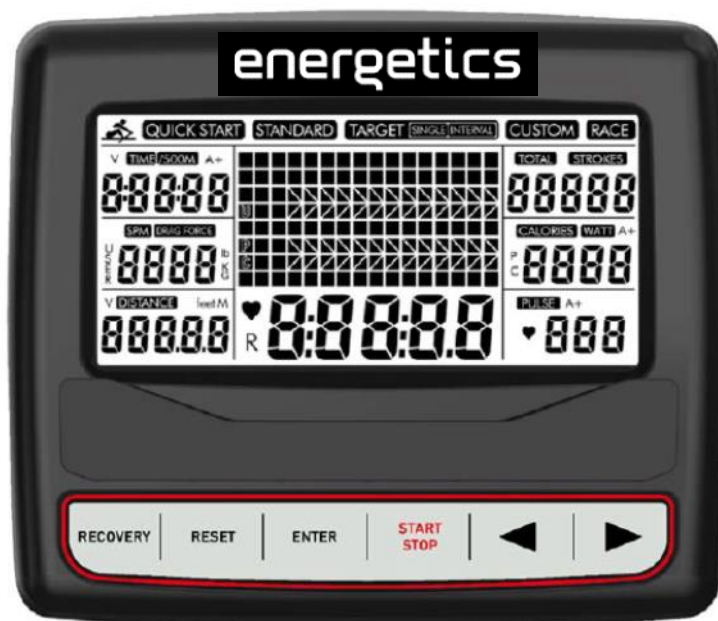
Pohyblivé části, jako je například sedátko, mohou způsobit zranění. Během používání se nedotýkejte pojezdu!

POKYNY PRO SKLADOVÁNÍ



PŘÍPRAVA NA TRÉNINK

Před tréninkem je třeba do nádrže doplnit vodu. Doporučujeme sledovat značku WATER LEVEL (hladina vody) na nádrži a doplnit vodu na úroveň 6, která uživatelům nabízí maximální sílu tahu. Pokud je voda doplněna na maximální úroveň 6, měli byste pro trénink zvolit na počítači L6.



ZAPNUTÍ

Po instalaci baterií se celý LCD displej zobrazí na dobu 2 sekund. Na LCD displeji se zobrazí výchozí nastavení L6. Když doplníte vodu do nádrže na úroveň 6, stiskněte ENTER pro potvrzení a přejděte do pohotovostního režimu. Stisknutím tlačítka ◀▶ si můžete vybrat z možností L1 až L6. Vyberete hodnotu, která odpovídá hladině doplněné vody, poté stisknutím tlačítka ENTER potvrdíte a přejděte do pohotovostního režimu.

OBSLUHA TLAČÍTEK

RECOVERY (obnovení)

Stisknutím tohoto tlačítka otestujete obnovení srdečního tepu po uplynutí 60 sekund. Uživatel však musí mít nasazen hrudní pás, aby byl zajištěn vstup pulzního signálu.

RESET (vynulování)

1. Stisknutím se vrátíte zpět na přednastavenou hodnotu v režimu nastavení parametrů, dalším stisknutím přepnete zpět do výběru programu.
2. Stisknutím se vrátíte zpět do pohotovostního režimu v režimu zastavení.
3. Pro resetování počítače podržte tlačítko po dobu 2 sekund.

Stisknutím spustíte nebo zastavíte trénink.

START/STOP

ENTER

1. Potvrzení výběru programu.
2. Potvrzení nastavení parametru a přechod k dalšímu nastavení parametrů.
3. Stiskněte pro přepnutí zobrazené hodnoty funkce během tréninku.



1. Zvýšení parametru nastavení
2. Vyberte PROGRAM (QUICK (rychlý), STANDARD, TARGET SINGLE (jednotlivý cíl), TARGET INTERVALS (cílové intervaly), CUSTOM (vlastní), RACE (závod))



1. Snížení parametru nastavení.
2. Vyberte PROGRAM (QUICK (rychlý), STANDARD, TARGET SINGLE (jednotlivý cíl), TARGET INTERVALS (cílové intervaly), CUSTOM (vlastní), RACE (závod))

Poznámka : Pro zobrazení hodnoty funkce ve velkém centrálním okně displeje stiskněte



	Výchozí nastavení	Zvýšení Snížení	Rozsah nastavení	Rozsah zobrazení
TIME (čas)	0:00	+/-1	0:00~99:00	0:00 ~ 99:59
DISTANCE (vzdálenost)	0	+/-100	0 - 99900	0 - 99999
STROKES (tahy)	0	+/-10	0 - 99990	0 - 99999
CALORIES (kalorie)	0	+/-10	0 - 9990	0 - 9999

Poznámka: TIME (čas) a DISTANCE (vzdálenost) nelze nastavit současně, nastavovat můžete pouze jeden z těchto parametrů.

POPIS FUNKCÍ

TIME (čas): Zobrazení času tréninku.

TIME/500M (čas/500m): Automaticky se zobrazí a aktualizuje průměrný čas na 500 metrů.

SPM: Tahy za minutu.

DISTANCE (vzdálenost): Zobrazuje tréninkovou vzdálenost.

STROKES (tahy): Zobrazí aktuální počet tahů.

TOTAL STROKE (tahů celkem): Kumulovaný počet tahů celkem.

CALORIES (kalorie): Zobrazuje spotřebu kalorií.

PULSE (puls): Během tréninku zobrazuje srdeční frekvenci uživatele.



DRAG FORCE (síla tahu): Zobrazuje aktuální sílu tahu.

WATT (výkon): Zobrazuje aktuální výkon.

A+: Zobrazuje průměrnou funkční hodnotu času, kalorií, výkonu a pulsu.

POKYNY K OBSLUZE

Zapnutí

Po instalaci baterií se celý LCD displej zobrazí na dobu 2 sekund. Na LCD displeji se zobrazí výchozí nastavení L6. Když doplníte vodu do nádrže na úroveň 6, stiskněte ENTER pro potvrzení a přejděte do pohotovostního režimu. Můžete si vybrat z L1 až L6   : stiskněte tlačítko, které odpovídá hladině doplněné vody, poté stisknutím tlačítka ENTER potvrďte a přejděte do pohotovostního režimu.

Pro aktivaci měřiče a zahájení tréninku může uživatel stisknout libovolné tlačítko.





PROGRAM

K dispozici je 6 programů počítače: QUICK START (rychlý start), STANDARD, TARGET SINGLE (jednotlivý cíl), TARGET INTERVAL (cílový interval), CUSTOM (vlastní) a RACE (závod).







1. QUICK START: Stisknutím tlačítka   zvolte Quick Start a poté pro zahájení tréninku stiskněte START/STOP.

1-1. Stisknutím tlačítka ENTER přepnete funkční hodnotu, která se během tréninku zobrazuje na velkém středovém displeji.

1-2. Profil programu se 16 sloupci, každý sloupec se rovná 100 metrů.

2. STANDARD: Stisknutím tlačítka   vyberete STANDARD, poté stiskněte ENTER a   pro vybrání jednoho z pěti tréninkových režimů: **1) 2000m, 2) 5000m, 3) 10000m, 4) 30:00, 5) 500m/1:00.**

Poté stiskněte tlačítko START/STOP pro zahájení tréninku. Hodnota vybrané funkce se odpočítává směrem dolů, ostatní hodnoty funkce se budou odpočítávat směrem nahoru. Když se přednastavená hodnota funkce odpočítá na nulu, stiskněte RESET pro návrat do pohotovostního režimu.







3. TARGET SINGLE (jednotlivý cíl): Pro výběr TARGET SINGLE stiskněte   a poté ENTER a   pro výběr jednoho ze čtyř jednotlivých nastavení: 1) Time (čas), 2) Distance (vzdálenost), 3) Calories (kalorie), 4) Pulse (puls). Poté stiskněte ENTER pro potvrzení a   pro nastavení cílové hodnoty. Chcete-li spustit trénink, stiskněte tlačítko START/STOP.

1) Time (čas): Pro odpočítávání lze nastavit cílový čas 1 ~ 99 minut.



2) Vzdálenost: Cílovou vzdálenost 100 ~ 99900 m lze nastavit s odpočítáváním směrem dolů.



3) Calories (kalorie): Cílové kalorie 100 ~ 9990 lze nastavit s odpočítáváním směrem dolů.





4) Pulse (puls): Lze nastavit cílovou srdeční frekvenci od 90 do 200 pulzů za minutu (Bpm). Pokud je srdeční frekvence vyšší než cílová srdeční frekvence, zazní zvukový signál. Pro tento program si musí uživatel nejprve nasadit hrudní pás.

4. TARGET INTERVALS (cílové intervaly): Stisknutím tlačítka   vyberete TARGET INTERVAL, poté stiskněte ENTER a   pro výběr jednoho ze tří režimů nastavení intervalu: 1) Time (čas), 2) Distance (vzdálenost), 3) Intervals Variable (proměnné intervaly). Poté stiskněte ENTER pro potvrzení a   pro nastavení cílové hodnoty. Chcete-li spustit trénink, stiskněte tlačítko START/STOP.

1) Time (čas): Stiskněte tlačítko   pro nastavení tréninkového času, poté stiskněte ENTER pro potvrzení, pak nastavte REST TIME (čas odpočinku). Pro zahájení tréninku stiskněte tlačítko START/STOP.

2) vzdálenost: Stiskněte   pro nastavení tréninkové vzdálenosti, poté stiskněte ENTER pro potvrzení a nastavení REST TIME (času odpočinku). Pro zahájení tréninku stiskněte tlačítko START/STOP.

3) Intervals Variable (proměnné intervaly): Stiskněte tlačítko   pro nastavení tréninkového času, poté stiskněte ENTER pro potvrzení a nastavení tréninkové vzdálenosti. Stiskněte ENTER pro potvrzení a nastavte REST TIME (času odpočinku), pak stiskněte START/STOP pro zahájení tréninku.







5. CUSTOM (vlastní): Stiskněte tlačítko  , vyberte CUSTOM, poté stiskněte ENTER a tlačítkem   vyberte jeden ze čtyř uživatelských režimů: **1) V:30/:30R**, **2) V1:00/1:00R... 7**, **3) V2000m/3:00R... 4**, **4) V1:40/:20R**, poté stiskněte START/STOP pro zahájení tréninku.

1) V:30/:30R: 30 sekund trénink, 30 sekund odpočinek.

2) V1:00/1:00R... 7: Jedna minuta trénink, jedna minuta odpočinek, opakovat 7krát.

3) V2000m/3:00R... 4: 2000 m trénink, tři minuty odpočinek, opakovat 4krát.

4) V1:40/:20R: Jedna minuta a čtyřicet sekund trénink, 20 sekund odpočinek, opakovat 9krát.

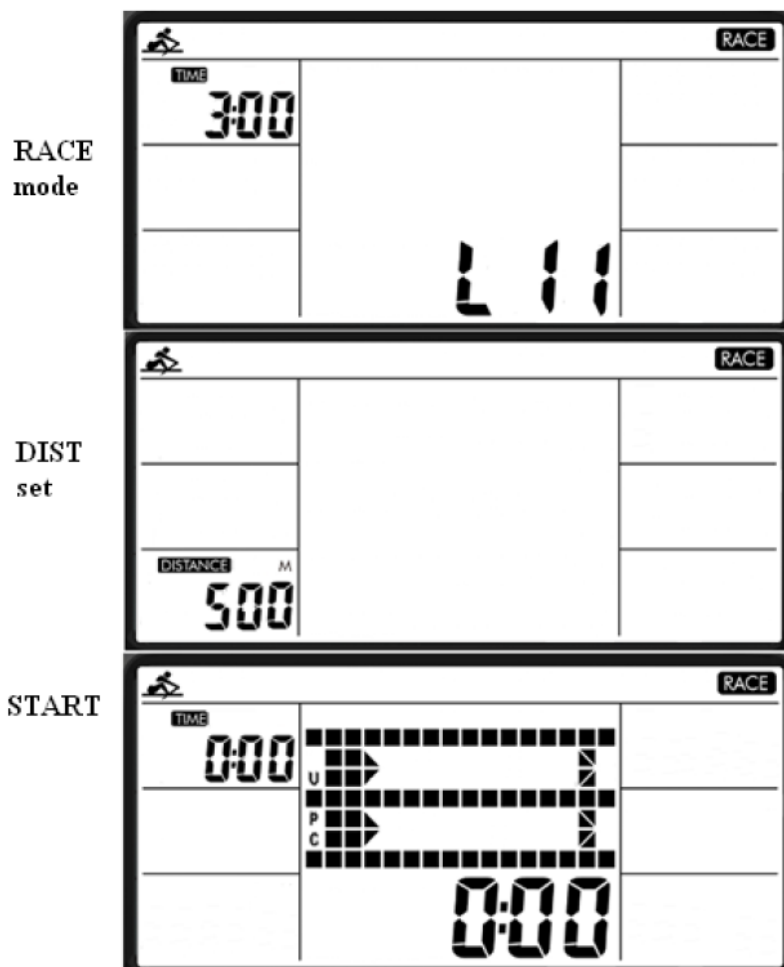
6. RACE (závod): Stisknutím tlačítka   vyberte RACE, poté stiskněte ENTER pro potvrzení a poté stiskněte   pro výběr L1~L15. Stiskněte ENTER pro potvrzení a vstupte do okna DISTANCE (vzdálenost), které bude blikat. Poté stiskněte   pro nastavení cílové vzdálenosti. Poté stiskněte START pro zahájení tréninku.

Bodová matice zobrazí grafiku U a PC, které spolu navzájem závodí. (To znamená, že uživatel bude soutěžit s počítačem.)

Jakmile počítač nebo uživatel dosáhne konce tréninku, počítač se zastaví. Bodová matice zobrazí, že soutěž vyhrál počítač (PC) nebo uživatel (USER). Uživatel může znovu stisknout tlačítko START/STOP pro opětovné spuštění stejného programu RACE.

V programu RACE (závod) lze nastavit pouze DISTANCE (vzdálenost). Hodnota TIME/500M je pevná a výchozí nastavení času pro L1-L15 je uvedeno níže. Příklad programu RACE viz níže.

L1	8:00		L6	5:30		L11	3:00
L2	7:30		L7	5:00		L12	2:30
L3	7:00		L8	4:30		L13	2:00
L4	6:30		L9	4:00		L14	1:30
L5	6:00		L10	3:30		L15	1:00




7. RECOVERY (obnovení) :

- 1) Tento měřič pracuje s hrudním pásem 5,3 KHZ (není součástí balení). Po určité době tréninku si nechte hrudní pás nasazený a stiskněte tlačítko „RECOVERY“. Zastaví se všechny zobrazené funkce kromě „TIME“ (času), který začne odpočítávat od 00:60 do 00:00.
- 2) Obrazovka zobrazí stav obnovení vaší tepové frekvence jako F1, F2....až F6.
- 3) F1 je vynikající. F6 je špatná. Uživatel může pokračovat v tréninku, aby si zlepšil stav obnovy tepové frekvence. (Pro návrat na hlavní obrazovku znovu stiskněte tlačítko RECOVERY.)

DISPLEJ

- | | |
|----------------------------|---|
| Okno TIME: | Zobrazuje TIME (čas) a TIME/500M A+. |
| Okno SPM | Zobrazuje SPM a sílu tahu. |
| Okno DISTANCE | Zobrazuje vzdálenost ujetou při tréninku. |
| Okno STROKE | Zobrazuje STROKES (tahy) a TOTAL STROKES (tahy celkem). |
| Okno CALORIES
(kalorie) | Zobrazuje CALORIES a WATT A+. |
| Okno PULSE | Zobrazuje PULSE A+. |

Chcete-li zkontrolovat každou funkci, po zahájení tréninku stiskněte  pro vstup do jednoho ze 6 malých oken, například do okna SPM, a stejná hodnota se také zobrazí na středovém velkém LCD. Poté stiskněte tlačítko ENTER pro interaktivní zobrazení SPM a Drag Force (síly tahu).

POZNÁMKA

1. Po 4 minutách od ukončení tréninku měřič přejde do režimu spánku a veškeré hodnoty se automaticky vynulují, s výjimkou TOTAL STROKES (tahů celkem). Stisknutím tlačítka Start/Stop můžete znovu zahájit trénink nebo stisknutím kteréhokoli tlačítka aktivovat počítač.
2. Pokud počítač nezobrazuje správně, vyjměte a znovu vložte baterie a za 15 sekund zkuste počítač spustit znovu.
3. Specifikace baterie: 1,5 V UM-3 nebo AA (2 ks). Před likvidací zařízení se musí vyjmout a bezpečně zlikvidovat baterie.
4. Nevyhazujte elektrické spotřebiče do netříděného komunálního odpadu, používejte vyhrazená sběrná zařízení.
5. Informace o dostupných systémech sběru odpadu získáte u místní samosprávy.
6. Při likvidaci elektrických spotřebičů na skládkách může dojít k úniku nebezpečných látek do podzemních vod a jejich proniknutí do potravinového řetězce, což by mělo za následek negativní vliv na vaše zdraví a pohodu.
7. Při výměně starých spotřebičů za nové je prodejce ze zákona povinen odebrat starý spotřebič k likvidaci přinejmenším bezplatně.

INTERSPORT je spoločnosť, ktorá patrí do BSCI (Business Social Compliance Initiative), ktorá bola založená v Bruseli. Prostredníctvom BSCI, INTERSPORT implementuje BSCI Kódex správania vo svojom dodávateľskom reťazci a postupne sa snaží dosiahnuť lepšie pracovné podmienky na daných dodávateľských pracovných miestach. Systém BSCI je založený na troch pilieroch: monitoring nezhôd nezávislými externými auditorami; posilnenie aktérov pôsobiacich v dodávateľskom reťazci prostredníctvom rôznych aktivít na zlepšovanie schopností; a zapojenie všetkých zainteresovaných strán prostredníctvom konštruktívneho dialógu v Európe a dodávateľských krajinách. Naše sociálne audity sú vykonávané neutrálne, prostredníctvom medzinárodne uznávaných spoločností s cieľom monitorovania sociálneho súladu našich dodávateľských spoločností.

Pre viac informácií o BSCI navštívte: www.bsci-intl.org



Normy a nariadenia

Bezpečnosť spotrebiteľa je prioritou číslo jeden pri ENERGETICKÝCH produktoch. To znamená, že všetky produkty sú súlade s národnými a medzinárodnými právnymi predpismi (podobne ako Nariadenia EÚ (ES č. 1907/2006), týkajúce sa Registrácie, Hodnotenia, Autorizácie a Zákazu chemických látok [REACH]).

Tento produkt je tiež certifikovaný EÚ a bol testovaný v medzinárodne uznávanom inštitúte a certifikovaný podľa štandardu ISO EN 20957-1, EN 957-7.



Likvidácia elektroodpadu (smernica 2002/96/ES WEEE):

Všetky výrobky, ktoré obsahujú elektrické alebo elektronické zariadenia, musia byť označené týmto symbolom. Tieto výrobky sa nesmú likvidovať v komunálnom odpade. Pozrite si miestne nariadenia týkajúce sa tohto druhu výrobkov.



Likvidácia batérií (smernica 2006/66/ES):

Batérie musia byť označené týmto symbolom a chemickými značkami Hg, Cd alebo Pb, ak batéria obsahuje ortuť, kadmium alebo olovo nad hraničné hodnoty uvedené v smernici a jej zmenách a doplneniach. Vybité batérie sa nesmú likvidovať v komunálnom odpade.



Smernica 2011/65/EÚ:

Obmedzenie o používaní určitých nebezpečných látok v elektrických a elektronických zariadeniach (RoHS).

RoHS

Vážená zákazníčka, vážený zákazník,

blahoželáme vám k zakúpeniu domáceho posilňovacieho stroja od firmy ENERGETICS. Tento výrobok je navrhnutý a vyrobený na domáce použitie tak, aby spĺňal všetky vaše želania a potreby. Pozorne si prečítajte návod na montáž a používanie. Tieto pokyny si uschovajte pre potreby nahliadnutia alebo údržby. V prípade akýchkoľvek ďalších otázok nás kontaktujte. Želáme vám veľa úspechov a zábavy pri cvičení.

Váš ENERGETICS - Tím

Bezpečnosť výrobku

ENERGETICS ponúka vysokokvalitné domáce posilňovacie stroje. Všetky výrobky sú testované a certifikované podľa najnovšej európskej normy ISO EN 20957-1, EN 957-7.

Dôležité bezpečnostné pokyny pre všetky domáce posilňovacie stroje

- Tento domáci posilňovací stroj nemontujte ani nepoužívajte vonku alebo v mokrom či vlhkom prostredí.
- Pred začatím cvičenia na domácom posilňovacom stroji si pozorne prečítajte pokyny.
- Uschovajte si tieto pokyny pre prípad opravy alebo objedávania náhradných súčiastok.
- Tento cvičiaci stroj nie je vhodný na terapeutické účely.
- Pred začatím akýchkoľvek cvičebných programov sa poraďte so svojim lekárom, ktorý vám poradí optimálny tréning.
- Varovanie: nesprávne/nadmerné cvičenie môže spôsobiť poškodenie zdravia. Ak pocítite počas cvičenia nevoľnosť, prestaňte používať domáci posilňovací stroj.
- Varovanie: Úroveň bezpečnosti cvičiaceho stroja môže byť zachovaná, len ak sa stroj pravidelne kontroluje na poškodenie alebo opotrebovanie.
- Dodržiavajte tréningový plán, ktorý je podrobne opísaný v návode na cvičenie.
- Cvičenie začnite až po správnej montáži, nastavení a kontrole domáceho posilňovacieho stroja.
- Vždy začínajte rozcvičkou.
- Používajte len originálne dodané súčiastky ENERGETICS (pozri zoznam súčiastok).
- Dôsledne dodržiavajte postup montáže.
- Na montáž používajte len vhodné nástroje a v prípade potreby požiadajte o pomoc.
- Domáci posilňovací stroj umiestnite na rovný, nešmyklavý povrch, ktorý zabráni jeho pohybu, stlmí hluk a vibrácie.
- Ako ochranu podlahy alebo koberca pred poškodením položte pod výrobok podložku.
- Zistite si maximálnu polohu všetkých nastaviteľných častí, do ktorej sa môžu nastaviť.
- Dotiahnite všetky nastaviteľné časti, aby ste zabránili ich náhlemu pohybu počas cvičenia.
- Tento výrobok je určený pre dospelých. Zaistite, aby ho deti používali len pod dozorom dospelých osoby.
- Uistite sa, že používatelia a prítomné osoby sú oboznámené o možných rizikách, napr. pohyblivých častiach počas cvičenia.
- Necvičte na domácom posilňovacom stroji bosí a nepoužívajte voľnú obuv.
- Pri montáži alebo demontáži domáceho posilňovacieho stroja dávajte pozor na voľné alebo pohyblivé časti.
- Vyhľadanie hlučných súčiastok: Ak spozorujete neobvyklé zvuky ako vŕzganie, klepanie atď., pokúste sa ich lokalizovať a dajte opraviť odborníkovi. Domáci posilňovací stroj nepoužívajte, kým ho nedáte opraviť.
- Tento stroj nie je určený pre osoby (vrátane detí) s obmedzenými fyzickými, zmyslovými alebo mentálnymi schopnosťami alebo s nedostatočnými skúsenosťami alebo znalosťami o používaní tohto stroja, pokiaľ nie je zabezpečený dozor ďalšej osoby zodpovednej za ich bezpečnosť alebo pokiaľ tieto osoby neboli vopred poučené o obsluhu tohto stroja.

- Deti by mali byť vždy pod dozorom, aby sa zaistilo, že sa nebudú hrať so strojom.

Úroveň odporu si môžete prispôbiť podľa vlastných potrieb: pozri návod.



Tento výrobok je vyrobený len na domáce účely a bol testovaný do maximálnej telesnej hmotnosti: pozri prednú stranu alebo výrobný štítok nalepený na výrobku.



VAROVANIE: Systémy monitorovania tepu môžu byť nepresné. Nadmerné cvičenie môže spôsobiť poškodenie zdravia alebo smrť. Ak cítite slabosť, okamžite prestaňte cvičiť.

Čistenie, starostlivosť a údržba posilňovacieho stroja

Dôležité



- Pravidelným čistením domáceho posilňovacieho stroja predĺžite jeho životnosť.
- Pre jednoduchšie čistenie odporúčame použiť podložku pod stroj.
- Používajte len čistú a vhodnú športovú obuv.
- Na čistenie domáceho posilňovacieho stroja používajte vlhkú handričku a nepoužívajte agresívne čistiace prostriedky alebo rozpúšťadlá.
- Aby ste zabránili poškodeniu počítača, chráňte ho pred vniknutím kvapalín a pred priamym slnečným svetlom.
- Domáci posilňovací stroj nepoužívajte ani neskladujte vo vlhkom prostredí z dôvodu možnej korózie.



- V prípade opravy požiadajte o radu predajcu.
- Poškodené súčiastky okamžite vymeňte alebo stroj nepoužívajte, kým nebude opravený.
- Na opravu používajte len originálne náhradné súčiastky.



Denne



Mesačne



Pot ihneď utrite; potenie môže poškodiť vzhľad a správne fungovanie domáceho posilňo-vacieho stroja.



Zkontrolujte, zda jsou všechny spojovací prvky pevně uchyceny a v dobrém stavu.



Checklist

HARDWARE PACKAGE



_____ #19 1pc



_____ #20 1pc



_____ #40 1pc



_____ #59 M8*15 4pcs



_____ #61 M4*12 2pcs



_____ #62 M8*15 4pcs



_____ #68 M8*15 8pcs



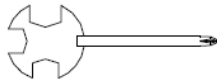
_____ #72 M6*10 2pcs



_____ #74 OD20*ID8.5*1.5 8pcs



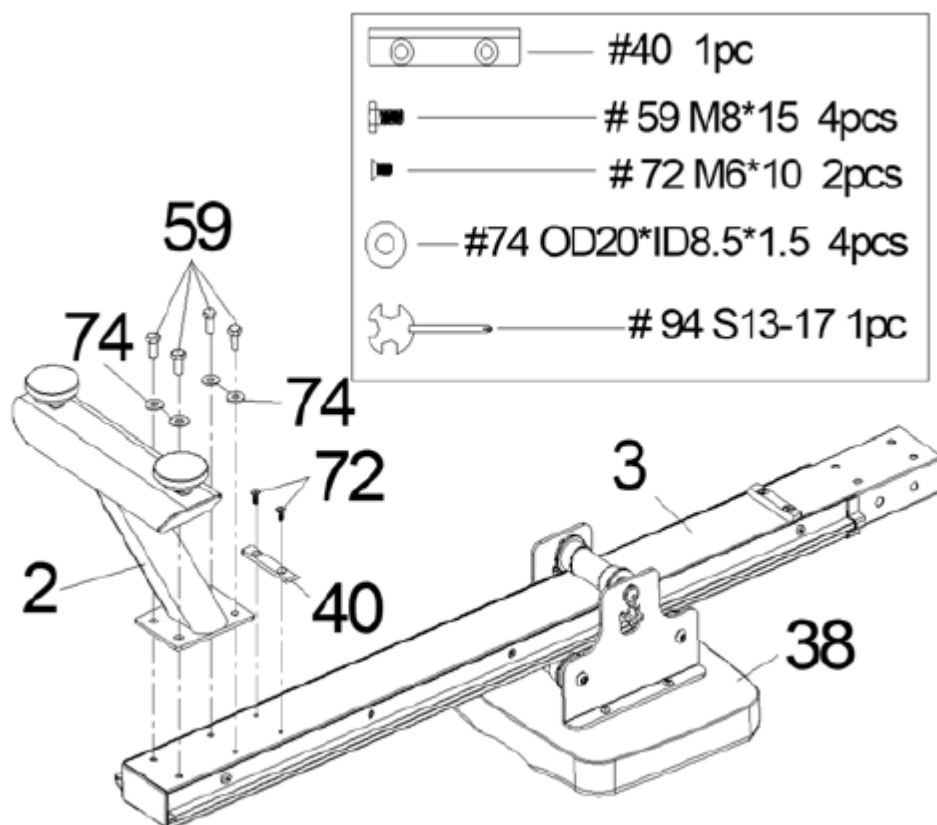
_____ #93 S5 1pc



_____ #94 S13-17 1pc

Pokyny k montáži

Krok 1







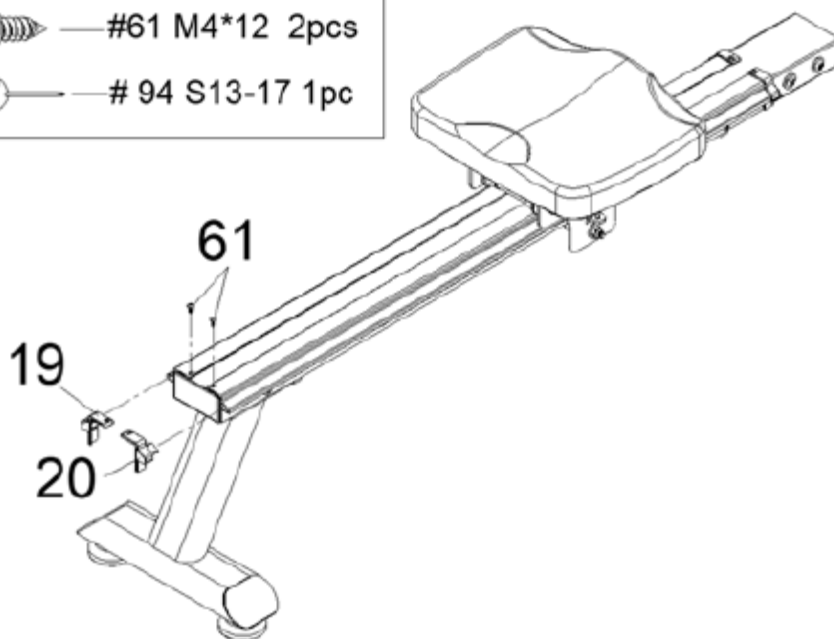
POZNÁMKA: Odporúčame, aby montáž výrobku vykonávali 2 osoby.

Otočte klznú koľajničku (č. 3) a sedadlo (č. 38), ako je znázornené na obrázku.

Nasuňte sedadlo (č. 38) na klznú koľajničku (č. 3). Upevnite medznú plošku (č. 40) 2 plochými krížovými skrutkami (č. 72). Potom pripevnite zadný stabilizátor (č. 2) ku klznej koľajničke (č. 3) pomocou 4 podložiek (č. 74) a 4 vonkajších šesťhranných skrutiek (č. 59). Utiahnite skrutkovým kľúčom (č. 94).

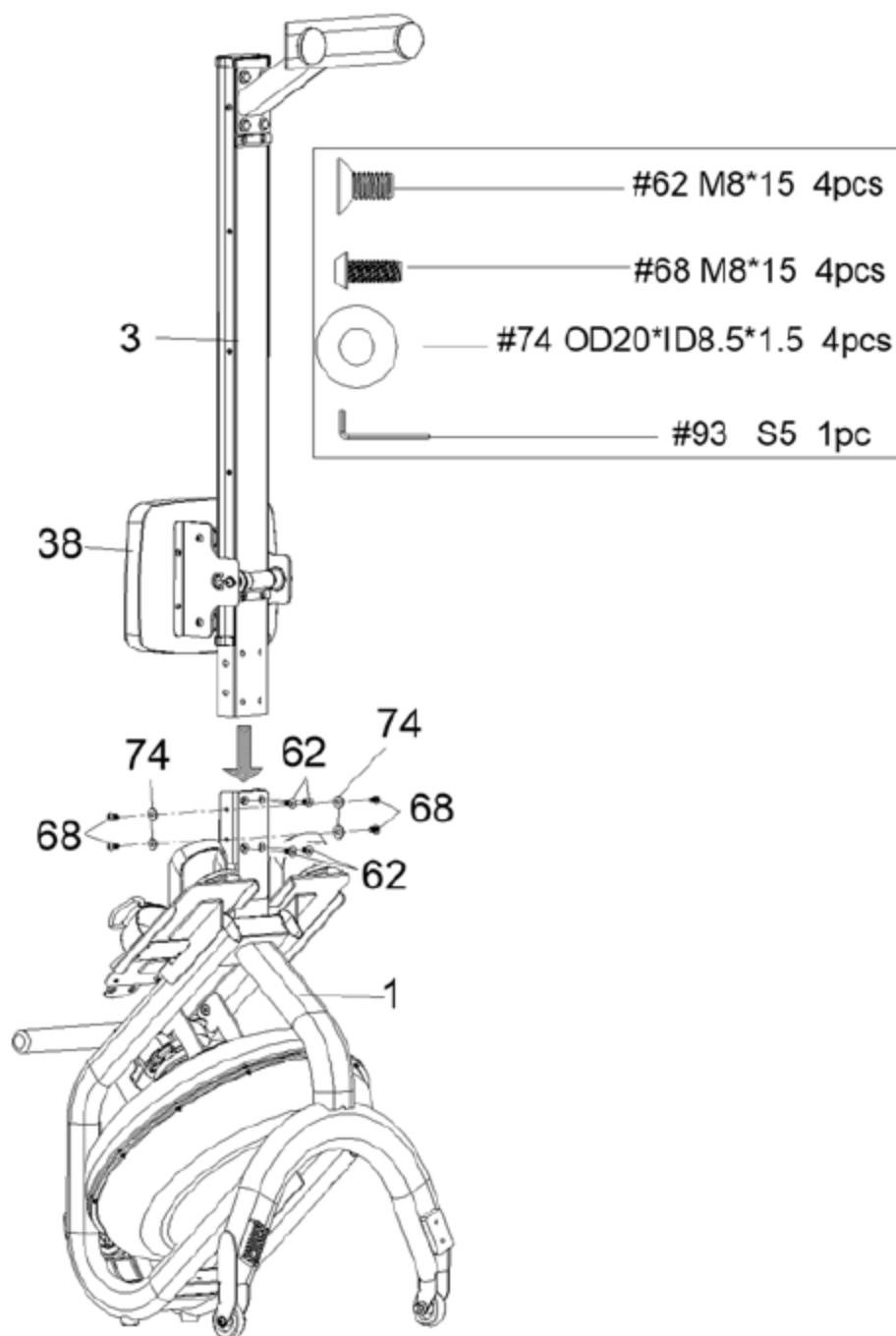
Krok 2

	_____	#19	1pc
	_____	#20	1pc
	_____	#61 M4*12	2pcs
	_____	# 94 S13-17	1pc



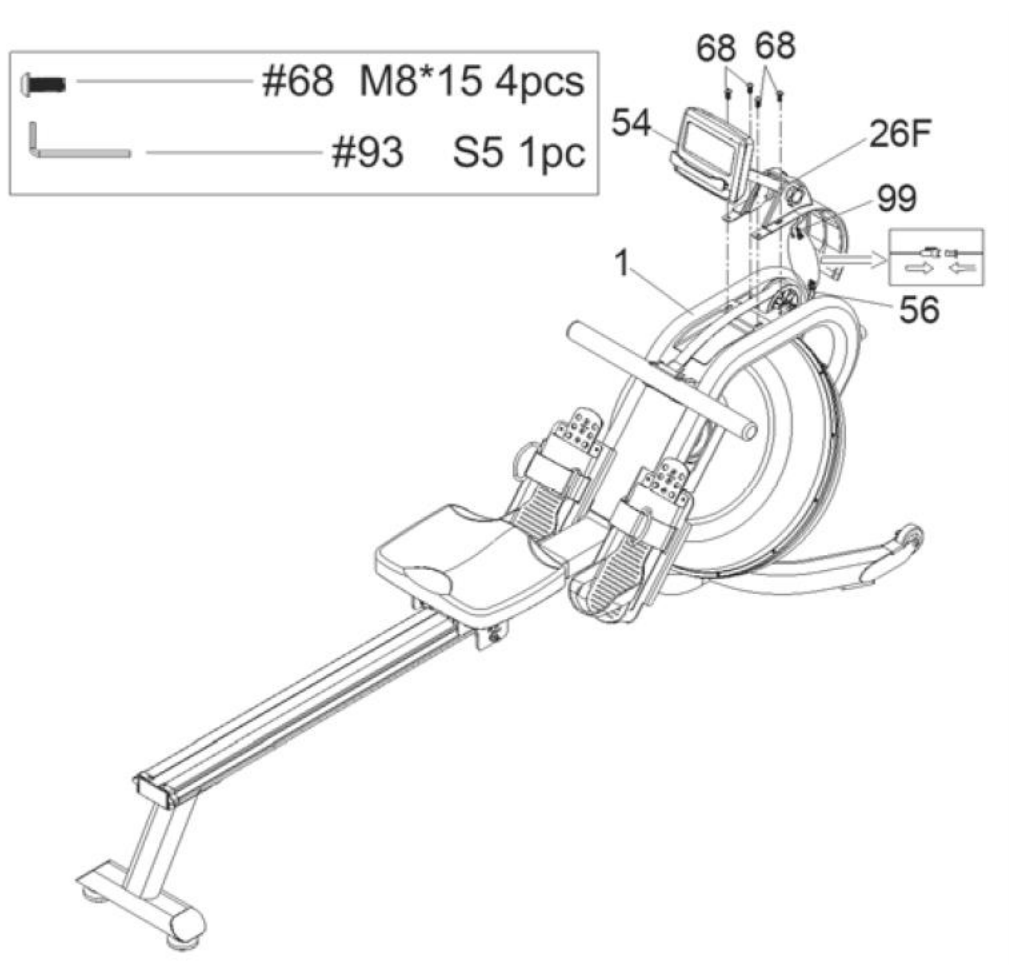
Pripevnite ľavý/pravý kryt koľajničky (č. 19 a 20) pomocou 2 krížových skrutiek (č. 61) na klznú koľajničku (č. 3). Uťahnite skrutkovým kľúčom (č. 94).

Krok 3



POZNÁMKA: Pred montážou posuňte sedadlo (č. 38) do prednej časti klznej koľajničky (č. 3), aby počas montáže neskízlo dole. Pripevnite klznú koľajničku (č. 3) k hlavnému rámu (č. 1) pomocou 4 podložiek (č. 74), 4 skrutiek (č. 68) a 4 plochých skrutiek (č. 62). Všetkých 8 skrutiek najprv čiastočne vložte do otvorov a potom ich utiahnite pomocou inbusového kľúča (č. 93).

Krok 4



Pripojte spojovací vodič (č. 99) k vodiču snímača (č. 56).

Zasuňte predný dekoratívny kryt (č. 26F) do otvoru hlavného rámu (č. 1).

Pripojte podperu/držiak počítača (č. 54) k hlavnému rámu, utiahnite pomocou 4 skrutiek (č. 68).

AKO NAPLNÍŤ PRÁZDNU NÁDRŽ

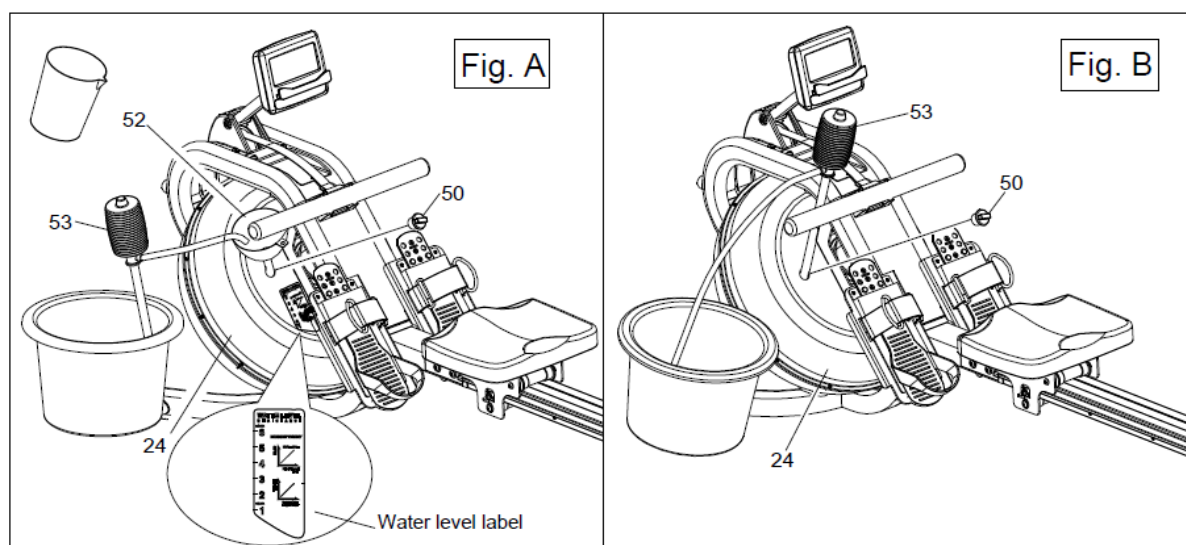
1. Odoberte plniacu zátku (č. 50) z horného krytu nádrže (č. 24).
2. Pri plnení nádrže vodou postupujte podľa obr. A. Vložte do nádrže lievik (č. 52) a potom pomocou pohára alebo sifónového čerpadla (č. 53) a vedra naplňte nádrž. Pomocou mierky hladiny vody na boku nádrže odmerajte požadovanú hladinu vody v nádrži.
3. Pri vyprázdňovaní nádrže postupujte podľa obr. B. Umiestnite vedľa veslárskeho trénažera vedro a pomocou sifónového čerpadla (č. 53) vyčerpajte vodu z nádrže do vedra.
4. Založte plniacu zátku (č. 50) do horného krytu nádrže (č. 24). Utrite z rámu nadbytočnú vodu.

POZNÁMKA

- Plňte nádrž len vodou z vodovodu. Pridajte 1 tabletu na vyčistenie vody (Pribalené je 1 balenie.). Nikdy nepoužívajte bazénový chlór alebo chlórové bielidlo. Dôjde tým k poškodeniu nádrže a zániku záruky.
- Tabletu na vyčistenie vody pridajte každých 6 mesiacov alebo podľa potreby. Ak zostane voda zakalená, vymeňte vodu v nádrži.
- Vodu z nádrže nekonzumujte. Vodu po jej vyčerpaní z nádrže zlikvidujte.

HLADINA VODY

- Pozrite si obr. A. Mierka hladiny vody je na boku nádrže. Maximálna úroveň naplnenia je 6. Nikdy ju neplňte nad tento limit. Naplnením nádrže nad tento limit dôjde k zániku záruky.
- Odpor závisí od hladiny vody v nádrži. Hladina vody 1 predstavuje najmenší odpor. Hladina vody 6 predstavuje najväčší odpor.



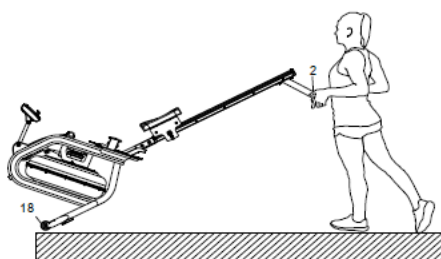
SPRIEVODCA NASTAVENÍM



Pedálový popruh je nastaviteľný a možno ho prispôbiť tak, aby zodpovedal veľkosti chodidla používateľa.

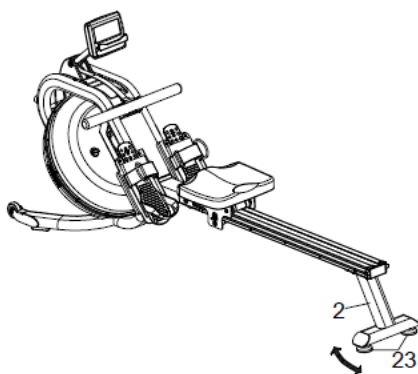
Ak chcete nastaviť pedálový popruh, odstráňte koniec popruhu so suchým zipsom zo sieťovinovej strany jeho potiahnutím nahor a následne doľava.

Po jeho odstránení môžete zväčšiť otvor pedálového popruhu potiahnutím sieťovinového konca nahor a následne doprava.



PREMIESTŇOVANIE PRÍSTROJA

Ak chcete prístroj premiestniť, zdvíhajte zadnú podperu (č. 2), kým sa prepravné kolieska (č. 18) na prednom stabilizátore nedotknú zeme. S kolieskami na zemi môžete prístroj s ľahkosťou premiestniť na požadované miesto.



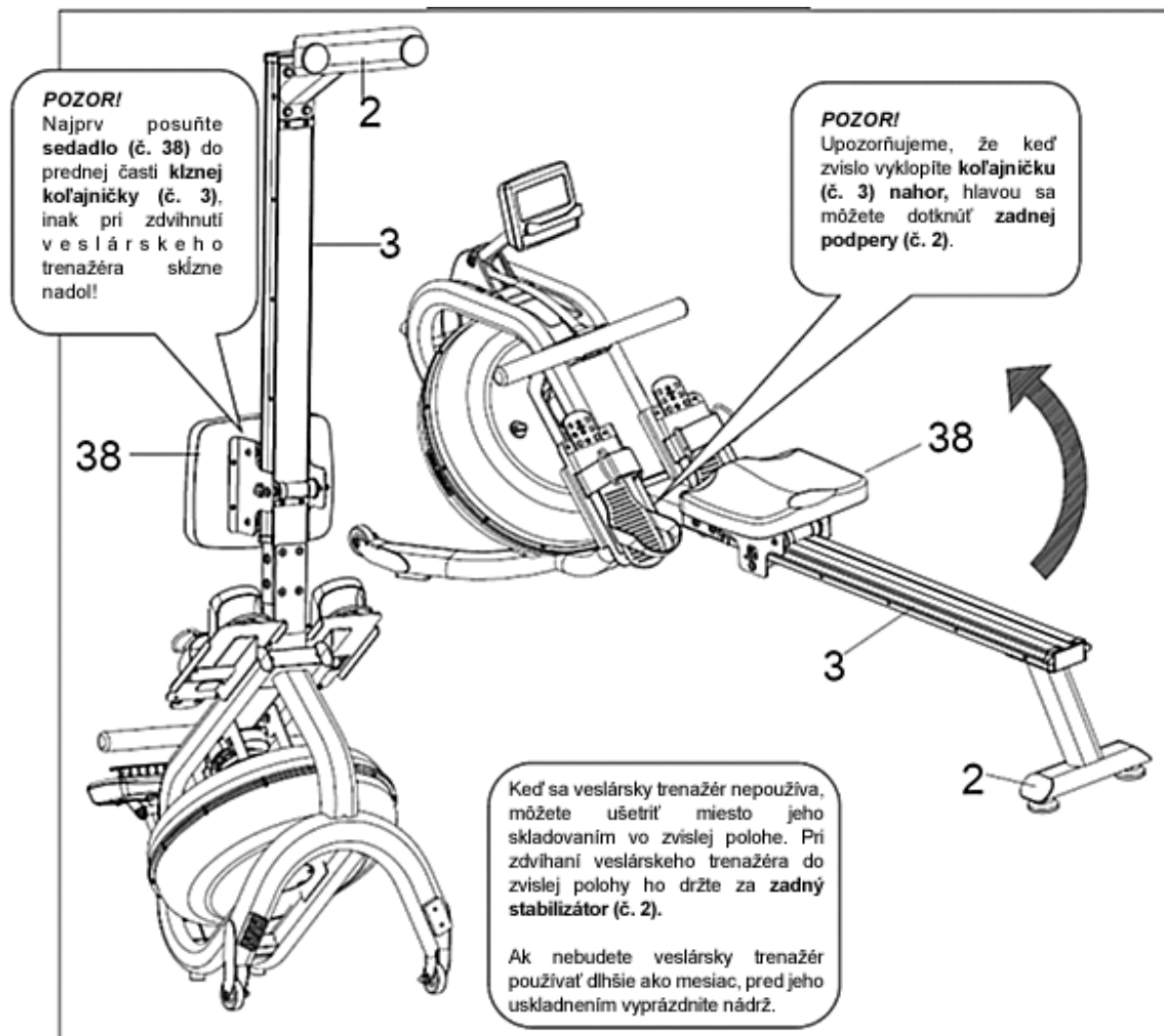
VYROVNANIE PRÍSTROJA

Vyrovnanie dosiahnete nastavením nastavovacieho gombíka (č. 23) pod zadným stabilizátorom (č. 2).

POZOR!

Pohyblivé diely, ako je sedadlo, môžu spôsobiť zranenie. Počas používania sa nepribližujte rukami ku klznej koľajničke!

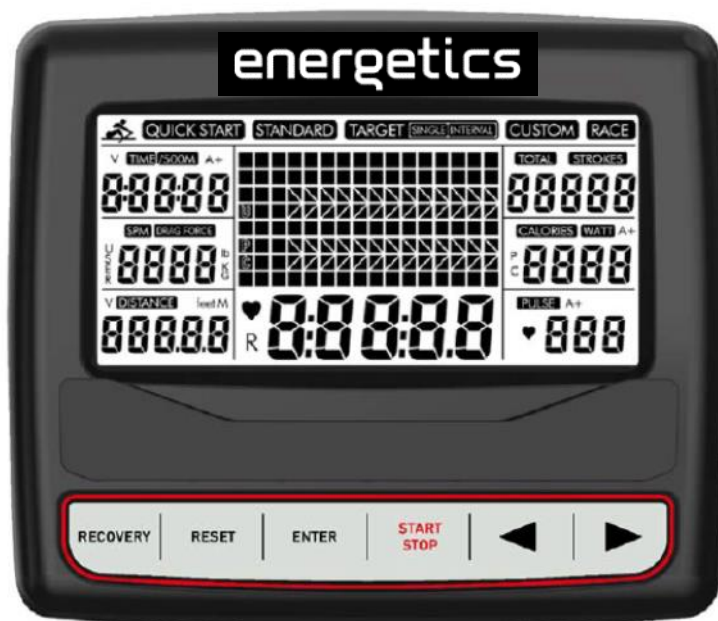
SPRIEVODCA USKLADNENÍM



PRÍPRAVA NA CVIČENIE

Pred cvičením musíte naplniť nádrž vodou. Odporúča sa sledovať označenie HLADINY VODY na nádrži a podľa neho naplniť vodu na úroveň 6, čo poskytuje používateľom maximálnu odporovú silu. Ak sa voda naplní na max. úroveň naplnenia 6, na počítači by ste mali pre cvičenie zvoliť možnosť L6.

Návod k počítaču



ZAPNUTIE

Plný LCD displej sa zobrazí 2 sekundy po vložení batérií. Na LCD displeji sa zobrazí predvolené nastavenie L6. Ak naplníte do nádrže vodu na úroveň 6, jednoducho stlačením tlačidla ENTER potvrdíte nastavenie a prejdete do pohotovostného režimu. Môžete vybrať z nastavení L1 až L6 ◀ ▶ stláčaním a výberom nastavenia, ktoré zodpovedá hladine vody, ktorú ste naplnili, a potom stlačením tlačidla ENTER potvrdíte nastavenie a prejdete do pohotovostného režimu.

POUŽÍVANIE TLAČIDIEL

RECOVERY (Obnova)

Stlačením tohto tlačidla otestujete obnovenie pulzu za 60 sekúnd, ale používateľ musí mať na sebe hrudný pás na vstup signálu pulzu.

RESET (Vynulovanie)

1. Stlačením prejdete naspäť na predvolenú hodnotu v režime nastavenia parametrov, opätovným stlačením prepnete naspäť na výber programu.
2. Stlačením prejdete naspäť na pohotovostný režim v režime zastavenia.
3. Podržaním na 2 sekundy sa počítač vynuluje. Stlačením SPUSTÍTE alebo ZASTAVÍTE cvičenie.

START/STOP (Spustiť/Zastaviť)

ENTER


1. Potvrdenie výberu programu.
2. Potvrdenie nastavenia parametra a prechod na ďalšie nastavenie parametra.
3. Stlačením prepnete zobrazenie hodnoty funkcie počas cvičenia.



1. Zvýšenie nastavovaného parametra
2. Výber PROGRAMU [QUICK (Rýchly), STANDARD (Štandardný), TARGET SINGLE (Jeden cieľ), TARGET INTERVALS (Cieľ s intervalmi), CUSTOM (Prispôsobené), RACE (Pretek)]



1. Zníženie nastavovaného parametra.
2. Výber PROGRAMU [QUICK (Rýchly), STANDARD (Štandardný), TARGET SINGLE (Jeden cieľ), TARGET INTERVALS (Cieľ s intervalmi), CUSTOM (Prispôsobené), RACE (Pretek)]

Poznámka : Stláčaním  zobrazíte hodnotu funkcie vo veľkom stredovom okne displeja

	Predvolené	Prírastok Úbytok	Rozsah nastavenia	Rozsah zobrazenia
TIME (Čas)	0:00	+/-1	0:00 až 99:00	0:00 až 99:59
DISTANCE (Vzdialenosť)	0	+/-100	0 až 99900	0 až 99999
STROKES (Zábery)	0	+/-10	0 až 99990	0 až 99999
CALORIES (Kalórie)	0	+/-10	0 až 9990	0 až 9999

Poznámka: TIME (Čas) a DISTANCE (Vzdialenosť) nemožno nastaviť súčasne, musíte si vybrať, ktorý z týchto parametrov chcete nastaviť.

OPIS FUNKCIE

TIME (Čas): Zobrazenie času cvičenia.

TIME/500M (Čas/500 m): Automaticky sa zobrazí a priebežne sa bude aktualizovať priemerný 500-metrový čas.

SPM: Zábery za minútu

DISTANCE (Vzdialenosť): Zobrazenie vzdialenosti cvičenia.

STROKES (Zábery): Zobrazenie aktuálnych záberov.

TOTAL STROKE (Zábery celkove): Sumarizuje celkový počet záberov.

CALORIES (Kalórie): Zobrazenie spotreby kalórií.

PULSE (Pulz): Zobrazenie srdcového tepu používateľa počas cvičenia.


DRAG FORCE (Odporová sila): Zobrazenie aktuálnej odporovej sily.

WATT (Výkon): Zobrazenie aktuálneho výkonu.

A+: Zobrazenie priemernej hodnoty funkcie času, kalórií, výkonu a pulzu.

POUŽÍVANIE

Zapnutie

Plný LCD displej sa zobrazí 2 sekundy po vložení batérií. Na LCD displeji sa zobrazí predvolené nastavenie L6. Ak naplníte do nádrže vodu na úroveň 6, jednoducho stlačením tlačidla ENTER potvrdíte nastavenie a prejdete do pohotovostného režimu. Môžete vybrať z nastavení L1 až L6  stláčaním a výberom nastavenia, ktoré zodpovedá hladine vody, ktorú ste naplnili, a potom stlačením tlačidla ENTER potvrdíte nastavenie a prejdete do pohotovostného režimu.

Používateľ môže aktivovať počítadlo a spustiť cvičenie stlačením ktoréhokoľvek tlačidla.


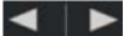
PROGRAM

Počítač má 6 programov, QUICK START (Rýchly štart), STANDARD (Štandardný), TARGET SINGLE (Jeden cieľ), TARGET INTERVALS (Cieľ s intervalmi), CUSTOM (Prispôsobené), RACE (Pretek).


1. QUICK START (Rýchly štart) : Tlačidlami  vyberte program QUICK START (Rýchly štart) a potom stlačením tlačidla START/STOP (Spustiť/Zastaviť) spustíte cvičenie.

1-1. Stlačením tlačidla ENTER prepnete hodnotu funkcie, ktorá sa má zobrazovať na veľkom stredovom displeji počas cvičenia.

1-2. Profil programu so 16 stĺpcami, každý stĺpec zodpovedá 100 metrom.

2. STANDARD (Štandardný) : Tlačidlami  vyberte program STANDARD (Štandardný) a potom stlačením tlačidla ENTER a tlačidlami  vyberte jeden z piatich režimov cvičenia: **1) 2000m, 2) 5000m, 3) 10000m, 4) 30:00, 5) 500m/1:00.**

Potom stlačením tlačidla START/STOP (Spustiť/Zastaviť) spustíte cvičenie. Zvolená hodnota funkcie sa bude odpočítavať, iná hodnota funkcie sa bude pripočítavať. Keď odpočítavanie hodnoty prednastavenej funkcie dosiahne nulu, stlačením tlačidla RESET (Vynulovať) prejdete späť do pohotovostného režimu.

3. TARGET SINGLE (Jeden cieľ) : Tlačidlami  vyberte program TARGET SINGLE (Jeden cieľ) a potom stlačením tlačidla ENTER a tlačidlami  vyberte jeden zo štyroch nastavení jedného cieľa: 1) Time (Čas), 2) Distance (Vzdialenosť), 3) Calories (Kalórie), 4)




Pulse (Pulz). Potom stlačením tlačidla ENTER potvrdíte výber a tlačidlami  nastavte cieľovú hodnotu. Potom stlačením tlačidla START/STOP (Spustiť/Zastaviť) spustíte cvičenie.


1) Time (Čas): Pre cvičenie s odpočítavaním možno nastaviť cieľový čas 1 až 99 minút.

2) Distance (Vzdialenosť): Pre cvičenie s odpočítavaním možno nastaviť cieľovú vzdialenosť 100 až 99900 m.


3) Calories (Kalórie) Pre cvičenie s odpočítavaním možno nastaviť cieľové kalórie 100 až 9990.



4) Pulse (Pulz): Možno nastaviť cieľový srdcový tep od 90 do 200 Bpm. Ak bude srdcový tep vyšší ako cieľový srdcový tep, zaznie pípanie. Na používanie tohto programu si musí používateľ najprv nasadiť hrudný popruh.

4.TARGET INTERVALS (Cieľ s intervalmi) : Tlačidlami  vyberte program TARGET INTERVALS (Cieľ s intervalmi) a potom stlačením tlačidla ENTER a tlačidlami  vyberte jeden zo štyroch režimov nastavení intervalov: 1) Time (Čas), 2) Distance (Vzdialenosť), 3) Intervals Variable (Variabilné intervaly). Potom stlačením tlačidla ENTER potvrdíte výber a tlačidlami  nastavíte cieľovú hodnotu. Potom stlačením tlačidla START/STOP (Spustiť/Zastaviť) spustíte cvičenie.

1) Time (Čas): Tlačidlami  nastavíte čas cvičenia, potom stlačením tlačidla ENTER potvrdíte nastavenie a nastavíte REST TIME (Čas oddychu). Stlačením tlačidla START/STOP (Spustiť/Zastaviť) spustíte cvičenie.

2) Distance (Vzdialenosť): Tlačidlami  nastavíte vzdialenosť cvičenia, potom stlačením tlačidla ENTER potvrdíte nastavenie a nastavíte REST TIME (Čas oddychu). Stlačením tlačidla START/STOP (Spustiť/Zastaviť) spustíte cvičenie.

3) Intervals Variable (Variabilné intervaly): Tlačidlami  nastavíte čas cvičenia, potom stlačením tlačidla ENTER potvrdíte nastavenie a nastavíte vzdialenosť cvičenia. Stlačením tlačidla ENTER potvrdíte nastavenie a nastavíte REST TIME (Čas oddychu) a potom stlačením tlačidla START/STOP (Spustiť/Zastaviť) spustíte cvičenie.




5.CUSTOM (Prispôsobené) : Tlačidlami  vyberte program CUSTOM (Prispôsobené), potom stlačením tlačidla ENTER a tlačidlami  vyberte jeden zo štyroch režimov programu CUSTOM (Prispôsobené): **1) V:30/:30R**, **2) V1:00/1:00R...7**, **3) V2000m/3:00R...4**, **4) V1:40/:20R**. Potom stlačením tlačidla START/STOP (Spustiť/Zastaviť) spustíte cvičenie.

1) V :30/:30R : Cvičenie 30 sekúnd, oddych 30 sekúnd.

2) V1:00/1:00R...7 : Cvičenie jednu minútu, oddych jednu minútu, opakovať 7 krát.

3) V2000m/3:00R...4 : Cvičenie 2 000 m, oddych tri minúty, opakovať 4 krát.

4) V1:40/:20R : Cvičenie jednu minútu štyridsať sekúnd, oddych 20 sekúnd, opakovať 9 krát.

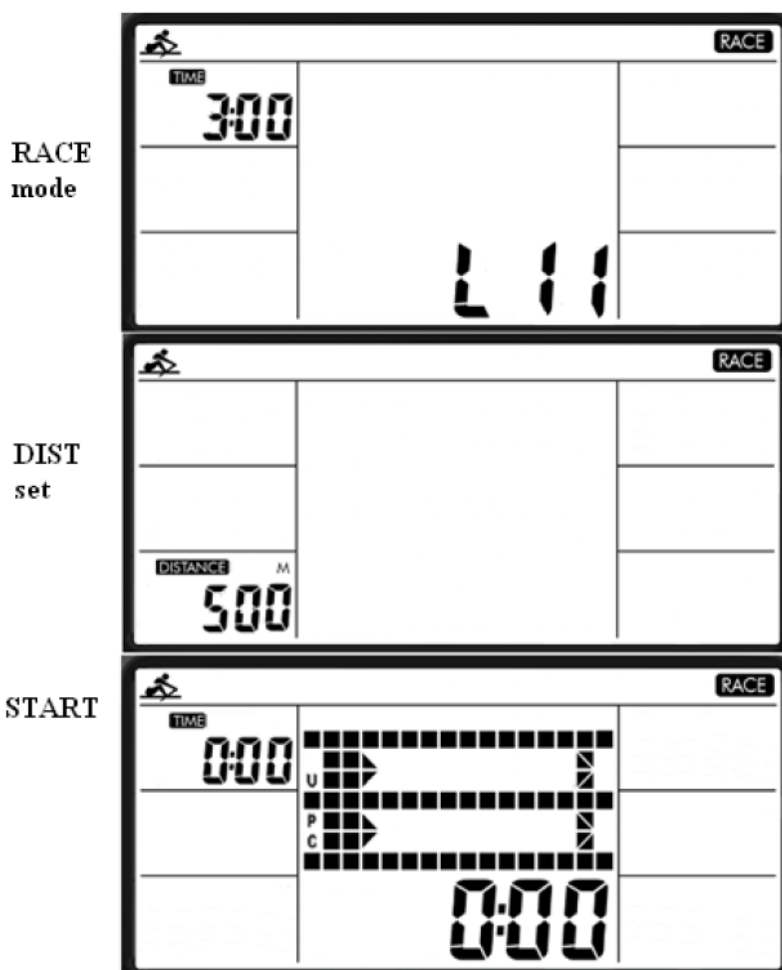
6.RACE (Pretek) : Tlačidlami  vyberte program RACE (Pretek) a potom stlačením tlačidla ENTER potvrdíte výber a tlačidlami  vyberte možnosti L1 až L15. Stlačením tlačidla ENTER potvrdíte výber a prejdete do okna DISTANCE (Vzdialenosť), ktoré bude blikať. Potom tlačidlami  nastavíte cieľovú vzdialenosť. Potom stlačením tlačidla START (Spustiť) spustíte cvičenie.

Na bodovej matici sa zobrazí, ako sa pretekajú U (používateľ) a PC (počítač). (To znamená, že používateľ bude súťažiť s počítačom)

Keď počítač alebo používateľ dosiahne koniec cvičenia, počítač sa zastaví. Na bodovej matici sa zobrazí, že buď PC (počítač) alebo USER (používateľ) vyhral pretek. Používateľ môže opätovným stlačením tlačidla START/STOP (Spustiť/Zastaviť) opätovne spustiť program RACE (Pretek).

Pri programe RACE (Pretek) možno nastaviť len DISTANCE (Vzdialenosť). TIME/500M (Čas/500 m) je pevne stanovený a predvolené nastavenie času pre L1 – L15 je uvedené nižšie. Nižšie je uvedený príklad programu RACE (Pretek) na referenčné účely.

L1	8:00		L6	5:30		L11	3:00
L2	7:30		L7	5:00		L12	2:30
L3	7:00		L8	4:30		L13	2:00
L4	6:30		L9	4:00		L14	1:30
L5	6:00		L10	3:30		L15	1:00



7.RECOVERY (Obnova):


1) Toto počítadlo sa používa s 5,3 KHZ hrudným popruhom (nie je súčasťou výbavy). Po prejdení určitej doby cvičenia majte naďalej nasadený hrudný popruh a stlačte tlačidlo „RECOVERY“ (Obnova). Všetky zobrazené funkcie zastanú okrem funkcie „TIME“ (Čas), ktorá začne odpočítavať od 00:60 do 00:00.

2) Na obrazovke sa zobrazí stav obnovenia vášho srdcového tepu ako F1, F2 alebo F6.

3) F1 je vynikajúci stav. F6 je zlý stav. Používateľ môže naďalej cvičiť s cieľom zlepšiť stav svojho srdcového tepu. (Opätovným stlačením tlačidla RECOVERY (Obnova) sa zobrazí znovu hlavný displej.)

DISPLEJ

Okno TIME (Čas):	Zobrazenie funkcií TIME (Čas) a TIME/500M (Čas/500 m) A+.
Okno SPM	Zobrazenie funkcie SPM a odporovej sily.
Okno DISTANCE (Vzdialenosť)	Zobrazenie vzdialenosti cvičenia.
Okno STROKE (Záber)	Zobrazenie funkcií STROKES (Zábery) a TOTAL STROKES (Zábery celkove).
Okno CALORIES (Kalórie)	Zobrazenie funkcií CALORIES (Kalórie) a WATT (Výkon) A+.
Okno PULSE (Pulz)	Zobrazenie funkcie PULSE (Pulz) A+.

Ak chcete po spustení cvičenia skontrolovať jednotlivé funkcie, tlačidlami  prejdite do jedného zo 6 malých okien, napríklad do okna SPM, čím sa tá istá hodnota zobrazí aj na stredovom hlavnom LCD displeji, a potom stlačením tlačidla ENTER prejdite na interaktívny displej SPM a odporovej sily.

POZNÁMKA

1. Po zastavení cvičenia na 4 minúty prejde počítadlo automaticky do režimu spánku a všetky hodnoty sa vynulujú okrem hodnoty funkcie TOTAL STROKES (Zábery celkove). Môžete znovu spustiť cvičenie opakovaným stlačením tlačidla START/STOP (Spustiť/Zastaviť) alebo zobudiť počítač stlačením ktoréhokoľvek tlačidla.

2. Ak počítač zobrazuje nezvyčajne, vymeňte batériu a skúste to znova po 15 minútach.

3. Špecifikácie batérie: 1,5V UM-3 alebo AA (2 ks). Batérie je potrebné pred likvidáciou spotrebiča z neho

vybrať a musia sa zlikvidovať bezpečne.

4. Nelikvidujte elektrické spotrebiče ako netriedený komunálny odpad, použite osobitné zberné zariadenia.

5. O informácie o dostupných zberných systémoch požiadajte svoje miestne orgány.

6. Ak sa elektrické spotrebiče zlikvidujú umiestnením na skládke alebo smetisku, môže dôjsť k úniku nebezpečných látok

do podzemných vôd a následne do potravinového reťazca, čím môže dôjsť k poškodeniu vášho zdravia a blaha.

7. Pri výmene starých spotrebičov za nové má maloobchodný predajca zákonnú povinnosť vziať zdarma naspäť váš starý spotrebič aspoň na likvidáciu.

Az INTERSPORT a BSCI (Business Social Compliance Initiative) brüsszeli leányvállalata. A BSCI-n keresztül az INTERSPORT kötelezettséget vállal az ellátási rendszerében a BSCI ügyviteli szabályzatának végrehajtására és fokozatosan javítja a munkafeltételeket az érdekelt beszállítók munkaterületein. A BSCI rendszer három pillérrre épül: a nem megfelelőségek ellenőrzése külső, független vizsgálatokkal; beszállítók felhatalmazása különböző konstruktív tevékenységekkel; és kötelezettség az összes jelentős részvényessel konstruktív párbeszédre keresztül Európában és beszállító országban. A szociális vizsgálatokat semleges, nemzetközileg elismert felülvizsgáló vállalatok végzik el annak érdekében, hogy a beszállító üzemeink szociális megfelelősége ellenőrizve legyen.

A BSCI-vel kapcsolatos további információért látogasson el a következő honlapra: www.bsci-intl.org



Normatívák és szabályzatok

Az Ügyfelek biztonsága az ENERGETICS termékek esetén a legfontosabb prioritás. Ez azt jelenti, hogy az összes termékünk megfelel a vegyi anyagok bejegyzésére, értékelésére, engedélyezésére és korlátozására [REACH] vonatkozó nemzeti és nemzetközi jogi követelményeknek (pl. az Európai Szabályzatnak (1907/2006 sz. EK).

Ez a termék CE tanúsítvánnyal is el van látva, és egy nemzetközileg elismert intézmény tesztelte és tanúsította az ISO EN 20957-1, EN 957-7 ipari előírásnak megfelelően.



Elektromos hulladékok megsemmisítése (2002/96/EC WEEE direktíva):

Minden olyan terméket, mely elektromos és elektronikus berendezéseket tartalmaz, meg kell jelölni. Ezek a termékek nem lehet háztartási hulladékként kezelni és kidobni. A terméket a helyi jogszabályoknak megfelelően selejtezze le.



Akkumulátorok megsemmisítése (2006/66/EK direktíva):

Az elemeket meg kell jelölni és fel kell tüntetni a Hg, Cd vagy Pb vegyjeleket, ha az elem a direktívában és a módosításaiban meghatározott értéknél nagyobb mennyiségű higanyt, kadmiumot vagy ólmot tartalmaz. A termékekhez használt elemeket nem lehet háztartási hulladékként kezelni és kidobni.



2011/65/EK direktíva:

Veszélyes anyagok elektromos berendezésekben való alkalmazásának korlátozása (RoHS).

RoHS

Tisztelt Vásárló,

gratulálunk Önnek, hogy megvásárolta az otthoni ENERGETICS testedző készüléket. A jelen készülék úgy lett megszerkesztve, hogy kielégítse az Ön szükségleteit és igényeit. Kérjük, hogy a készülék első beszerelését, illetve első használatát megelőzően figyelmesen olvassa el a jelen utasításokat. Az Ön izomfejlesztési készülékének a helyes használata céljából a jelen használati utasítást, mint módszertani útmutatót, kérjük, őrizze meg. Az utólagos kérdések, tájékoztatások céljából készségesen állunk a rendelkezésére. A gyakorlások során nagyon sok sikert és kellemes időtöltést kívánunk.

Az Ön ENERGETICS - munkacsoportja

Termékbiztonság

Az ENERGETICS termékek magas minőségi szinten vannak kivitelezve, és megfelelnek az európai ISO EN 20957-1, EN 957-7 szabvány követelményeinek.

Fontos biztonsági előírások az összes otthoni fitnessberendezéshez

- Ne szerelje össze vagy működtesse ezt az otthoni fitnessberendezést a szabadban vagy nedves helyen.
- Mielőtt megkezdje az edzést ezzel az otthoni fitnessberendezéssel, kérjük, figyelmesen olvassa el a használati utasítást.
- Kérjük, hogy gondosan őrizze meg a használati utasítást, hogy az esetleges későbbi javítások, alkatrész rendelések esetén ezt a dokumentumot szükség esetén képes legyen felmutatni.
- A jelen edzőkészülék nem alkalmas gyógykezelési célokra.
- Az edzés megkezdése előtt beszéljen a kezelőorvosával és kérjen tanácsot az optimális edzésprogramhoz.
- Figyelem: A helytelen és túlzott edzés sérüléseket és egészség-károsodást okozhat. Ha nem érzi jól magát azonnal hagyja abba az otthoni fitnessberendezés használatát.
- Figyelem: Az edzőberendezés biztonsági szintjét csak akkor lehet megőrizni, ha rendszeresen ellenőrzi, hogy vannak-e rajta sérülések vagy kopások.
- Kérjük, tartsa be az edzési útmutatóban lévő helyes edzésre vonatkozó tanácsokat.
- A testedzést csak az otthoni fitness berendezés szakszerű beszerelése, beállítása és figyelmes ellenőrzése után végezze.
- A testedzést mindig csak a bemelegítés után kezdje el.
- Csak a mellékelt eredeti ENERGETICS pótalkatrészeket használja (lásd az alkatrészek listáját).
- Gondosan tartsa be a szerelési utasításokat.
- Szerelésre csak erre alkalmas szerszámokat használjon, és szükség esetén kérjen segítséget.
- Az otthoni fitnessberendezést egyenes felületre kell állítani, amely kizárja a készülék elcsúszás lehetőségét, csökkenti a zajszintet és a rezgést.
- A padló vagy padlószőnyeg védelme érdekében helyezzen alátétet a termék alá.
- A beállítható részeknél vizsgálja meg ezeknek a maximális beállítási pozícióit.
- Szorosan húzzon meg minden beállítható alkatrészt, hogy megakadályozza a hirtelen mozgásukat az edzés során.
- Ez a termék felnőttek számára készült. Ügyeljen arra, hogy a gyermekek csak felnőtt személy jelenlétében használják a berendezést.
- A jelenlevőket figyelmeztesse az esetleges sérülési veszélyekre, pl. az edzés alatt mozgó részek által fenyegető veszélyekre.
- Az otthoni fitnessberendezést ne használja mezítláb vagy bő lábbeliben.
- Ügyeljen a nem rögzített vagy a mozgó részekre az otthoni fitnessberendezés összeszerelése vagy szétszerelése során.

- Zajforrások felderítése: Amennyiben szokatlan hangokat észlel, pl. súrlódások, kelepelés stb. úgy próbálja meg ezek okát megvizsgálni, és az esetleges javítást bízza szakemberre. A javítás elvégzéséig tilos az otthoni fitnessberendezést használni.
- A készüléket nem használhatják csökkent fizikai, érzékelési vagy értelmi képességű személyek (a gyerekeket is beleértve), vagy akiknek nincs meg a tapasztalatuk és tudásuk ehhez; kivéve, ha a biztonságukért felelős személy a használatra megtanítja, vagy a használat közben felügyeli őket.
- A gyerekekre mindig oda kell figyelni, nehogy játsszanak a készülékkel.

Az edzési teljesítmény beállítható az Ön edzés igényei szerint. lásd a műveleteket.



Ez a termék csak otthoni használatra készült és a felhasználó maximális testtömege: lásd a borítón vagy a terméken lévő adattáblán.



FIGYELEM : A szívritmust ellenőrző rendszerek pontatlanok lehetnek. A túlzásba vitt edzés súlyos sérülést vagy halált okozhat. Amennyiben gyengének érzi magát, azonnal hagyja abba az edzést.

A fitnessberendezés tisztítása, tárolása és karbantartása

Fontos



- Az otthoni fitnessberendezés gyakori tisztítása meghosszabbítja a termék élettartamát.
- Egy otthoni fitnessberendezéshez való szőnyeg használata javasolt a könnyebb tisztítás érdekében.
- Csak tiszta és megfelelő cipőt viseljen.
- Az otthoni fitnessberendezés tisztításához használjon egy nedves rongyot, és kerülje az agresszív hatású tisztítószeres vagy oldószerek használatát.
- A számítógép meghibásodásának elkerülése érdekében tartsa távol a folyadékoktól és a közvetlen napsugárzástól.
- A korróziós hatások csökkentése céljából az otthoni fitnessberendezést ne használja és ne tárolja nedves környezetben.



- Amennyiben a készülék javításra szorul, lépjen kapcsolatba a viszonteladóval.
- A meghibásodott alkatrészeket azonnal cserélje ki és/vagy a készüléket ne használja mindaddig, amíg nem lesz megjavítva.
- A javításhoz csak eredeti cserealkatrészeket használjon.



Napi



Havi



Azonnal törölje le az izzadság-cseppeket, melyek megrongálhatják a készüléket, illetve hátrányosan befolyásolhatják az otthoni fitnessberendezés megfelelő működését.



Ellenőrizze, hogy az összes csatlakozás szorosanhúzott és jó állapotban vannak-e.

Checklist

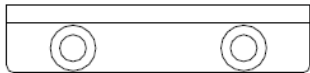
HARDWARE PACKAGE



_____ #19 1pc



_____ #20 1pc



_____ #40 1pc



_____ #59 M8*15 4pcs



_____ #61 M4*12 2pcs



_____ #62 M8*15 4pcs



_____ #68 M8*15 8pcs



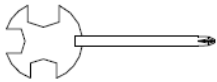
_____ #72 M6*10 2pcs



_____ #74 OD20*ID8.5*1.5 8pcs



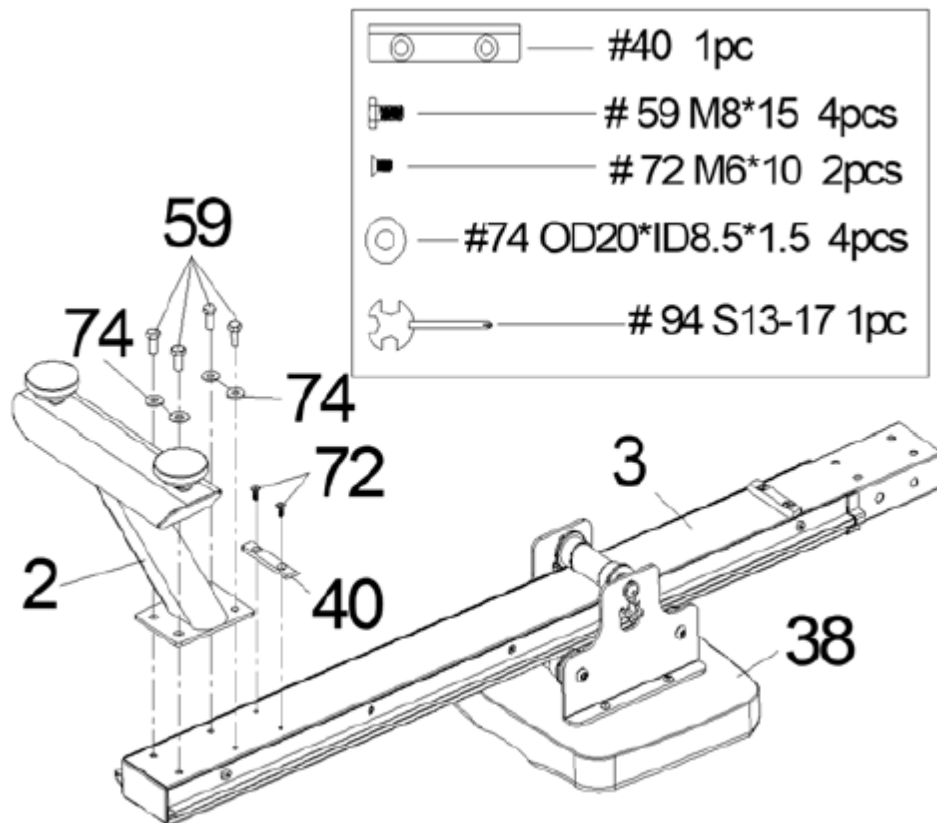
_____ #93 S5 1pc



_____ #94 S13-17 1pc

Összeszerelési útmutató

1. lépés







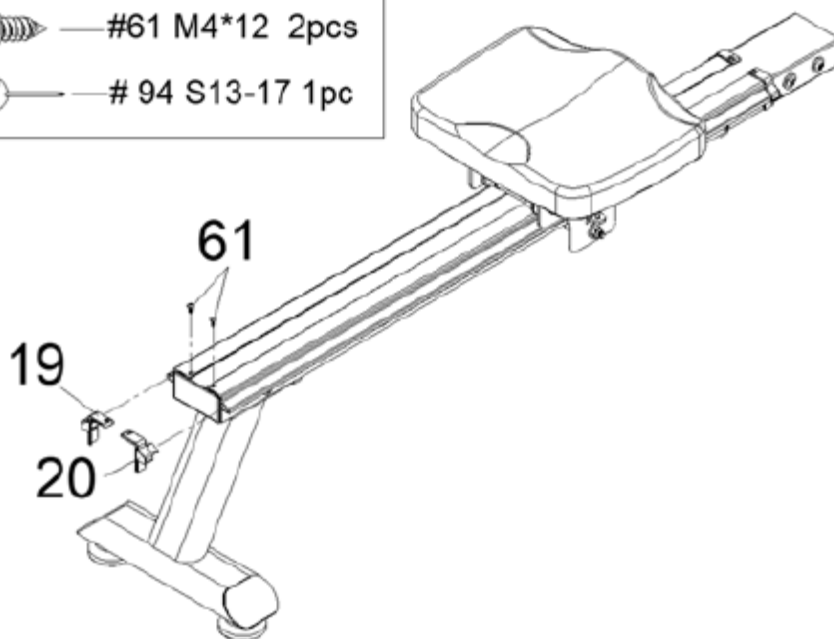
MEGJEGYZÉS: Javasoljuk, hogy a termék összeszerelését 2 ember végezze.

Fordítsa meg a csúszósínt (3. sz.) és az ülést (38. sz.) az ábra szerint.

Csúsztassa az ülést (38. sz.) a csúszósíntre (3. sz.). Rögzítse a végállás korlátozót (40. sz.) 2 lapos keresztfejes csavarral (72. sz.). Ezután csatlakoztassa a hátsó stabilizátort (2. sz.) a csúszósínhez (3. sz.) 4 alátéttel (74. sz.) és 4 külső hatszögfejű csavarral (59. sz.). Csavarkulccsal húzza meg (94. sz.).

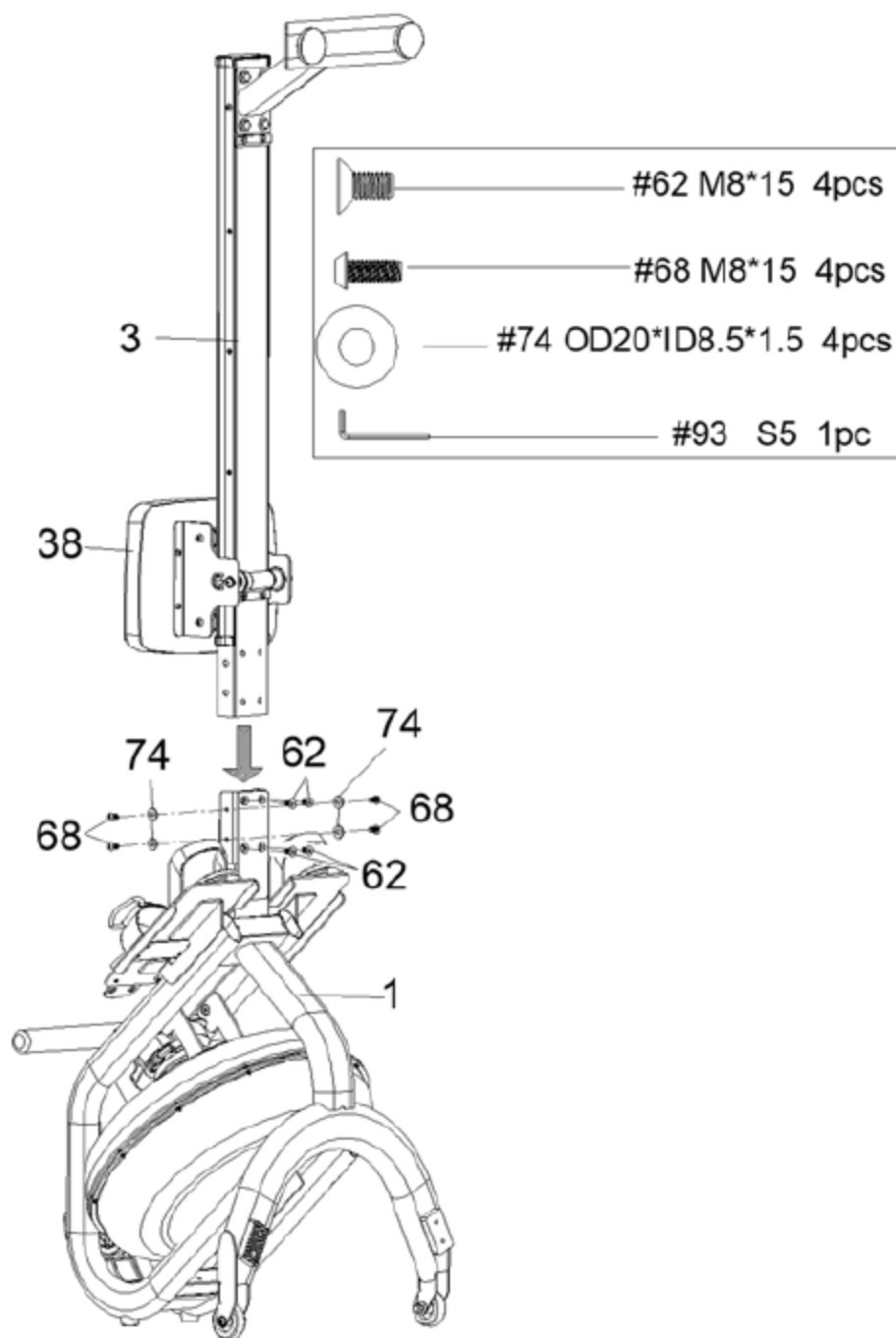
2. lépés

	_____	#19	1pc
	_____	#20	1pc
	_____	#61 M4*12	2pcs
	_____	# 94 S13-17	1pc



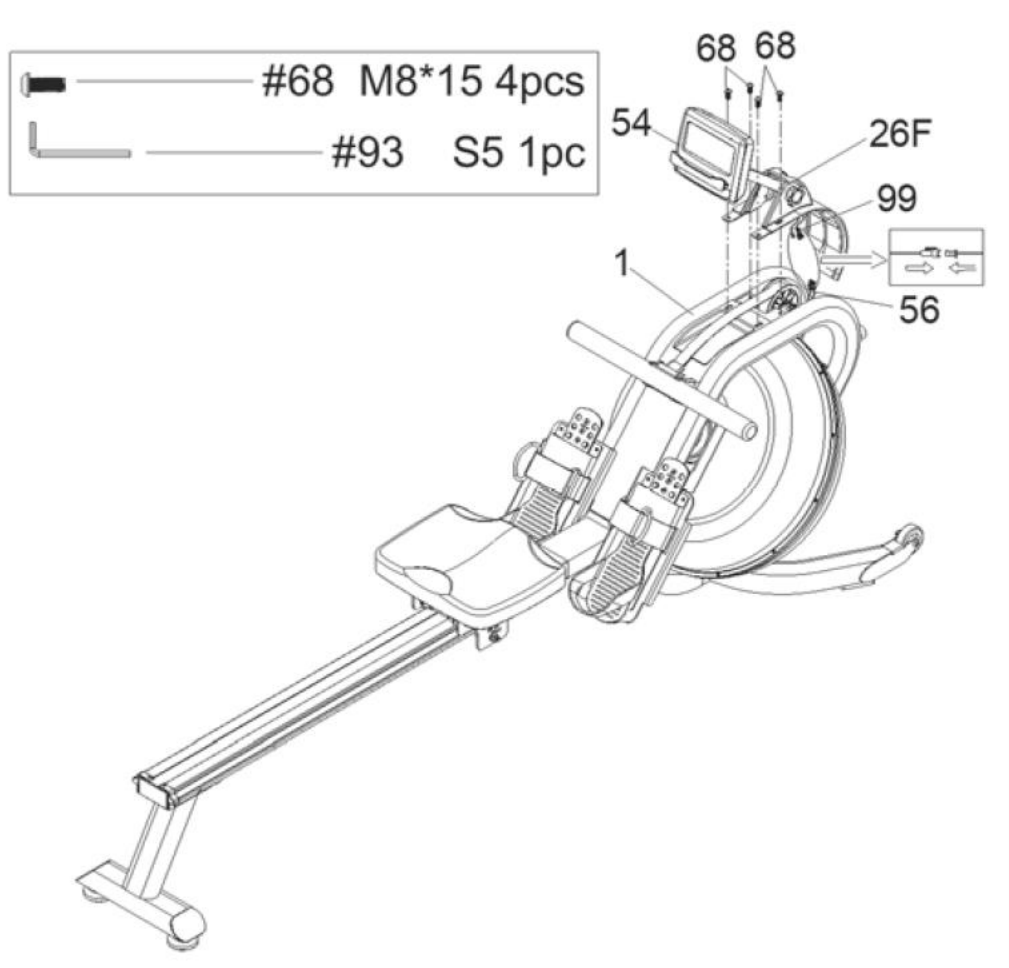
Rögzítse a bal / jobb dekoratív sínburkolatot (19. és 20. sz.) 2 keresztfejes csavarral (61. sz.) a csúszósínhez (3. sz.). Csavarkulccsal húzza meg (94. sz.).

3. lépés



MEGJEGYZÉS: Helyezze az ülést (38. sz.) összeszerelés előtt a csúszósín (3. sz.) elülső oldala elé, nehogy összeszerelés közben lecsússzon. Rögzítse a csúszósínt (3. sz.) a főkerethez (1. sz.) 4 alátéttel (74. sz.), 4 csavarral (68. sz.) és 4 süllyesztett csavarral (62. sz.). Helyezze be először félig mind a 8 csavart a lyukakba, majd húzza meg az imbuszkulccsal (93. szám).

4. lépés



Csatlakoztassa a csatlakozókábelt (99. sz.) az érzékelő vezetékéhez (56. sz.).

Dugja az előző díszítő burkolatot (26F. sz.) a főkereten lévő lyukba (1. sz.).

Rögzítse a számítógép támaszát/tartóját (54. sz.) a főkerethez, húzza meg 4 csavarral (68. sz.).

A TARTÁLY FELTÖLTÉSE ÉS KIÜRÍTÉSE

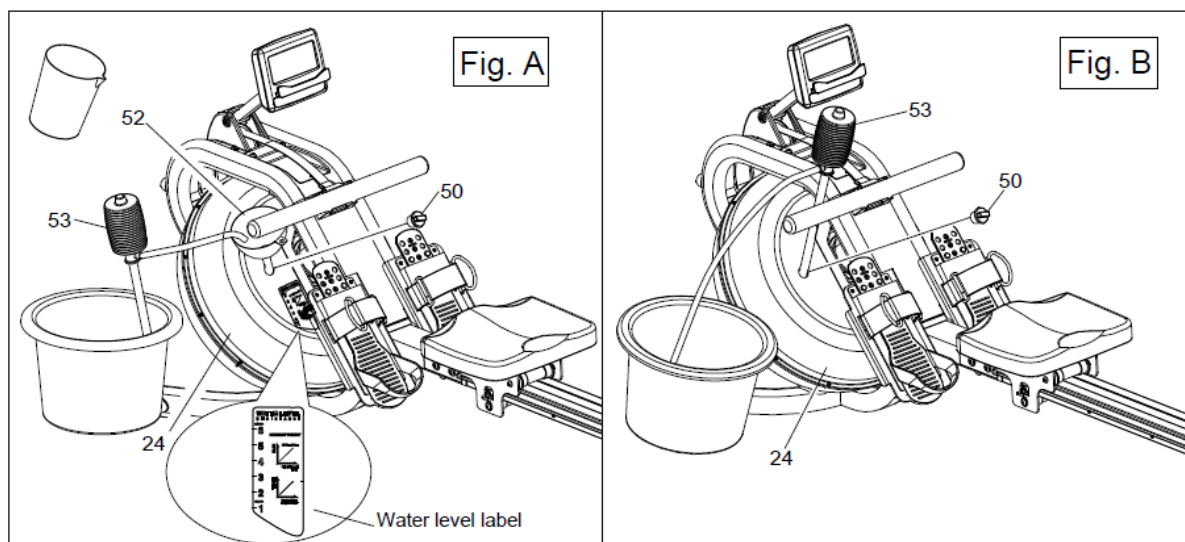
1. Távolítsa el a töltődugót (50. sz.) a tartály felső burkolatából (24. sz.).
2. A tartály vízzel való feltöltéséhez lásd az A. ábrát. Helyezze a tölcserőt (52. sz.) a tartályba, majd használjon mérőedényt, vagy kéziszivattyút (53. sz.) és egy vödört a tartály feltöltéséhez. A tartály kívánt vízszintjének beállításához/méréséhez használja a tartály oldalán lévő vízszintmérőt.
3. A tartály ürítéséhez lásd a B. ábrát. Helyezzen egy vödört az evezőgép mellé, és a kéziszivattyúval (53. szám) szivattyúzza ki a vizet a tartályból a vödörbe.
4. Helyezze a helyére a töltődugót (50. sz.) a tartály felső burkolatán (24. sz.). Törölje le a vázra került vizet.

MEGJEGYZÉS

- A tartály feltöltéséhez csak csapvizet használjon. Adjon hozzá 1 víztisztító tablettát (1 csomag a csomagolás része). Soha ne használjon medenceklórt vagy klórtartalmú fehérítőt. Ez károsítja a tartályt, és érvényteleníti a jótállást.
- 6 havonta vagy szükség szerint adjon hozzá egy víztisztító tablettát. Ha a víz zavaros marad, cserélje ki a tartályban lévő vizet.
- Ne igya meg a tartály vizét. Távolítsa el a vizet, miután kiürítette a tartályból.

VÍZSZINT

- Lásd: A. ábra. A vízszintmérő a tartály oldalán található. A maximális töltési szint 6. Soha ne töltsé túl ezen a határértéken. Ha a tartályt a max. szint fölé tölti, a garancia érvényét veszti.
- Az ellenállás a tartály vízszintjétől függ. Az 1. vízszint a legkisebb ellenállást jelenti. Az 6. vízszint a legnagyobb ellenállást jelenti.



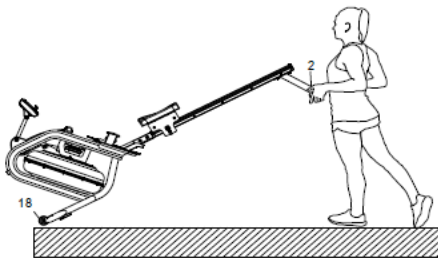
BEÁLLÍTÁSI ÚTMUTATÓ



A pedálheveder állítható és személyre szabható, hogy illeszkedjen a felhasználó lábméretéhez.

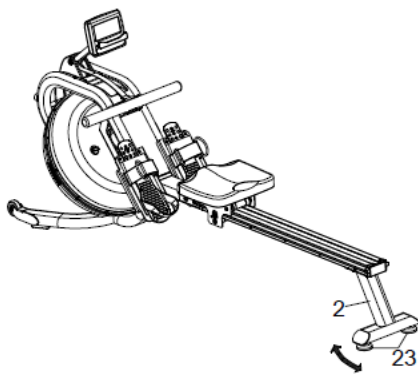
A pedálheveder beállításához távolítsa el a heveder tépőzáras végét az anyag oldaláról, húzza felfelé, majd balra.

Miután eltávolította, növelheti a pedálheveder nyílását, ha az anyag végét jobbra húzza.



A GÉP MOZGATÁSA

A gép mozgatásához emelje fel a hátsó támaszt (2. sz.), míg az elülső stabilizátoron lévő mozgó kerekek (18. sz.) elérik a talajt. A talajra támaszkodó kerekekkel a gépet könnyedén a kívánt helyre szállíthatja.



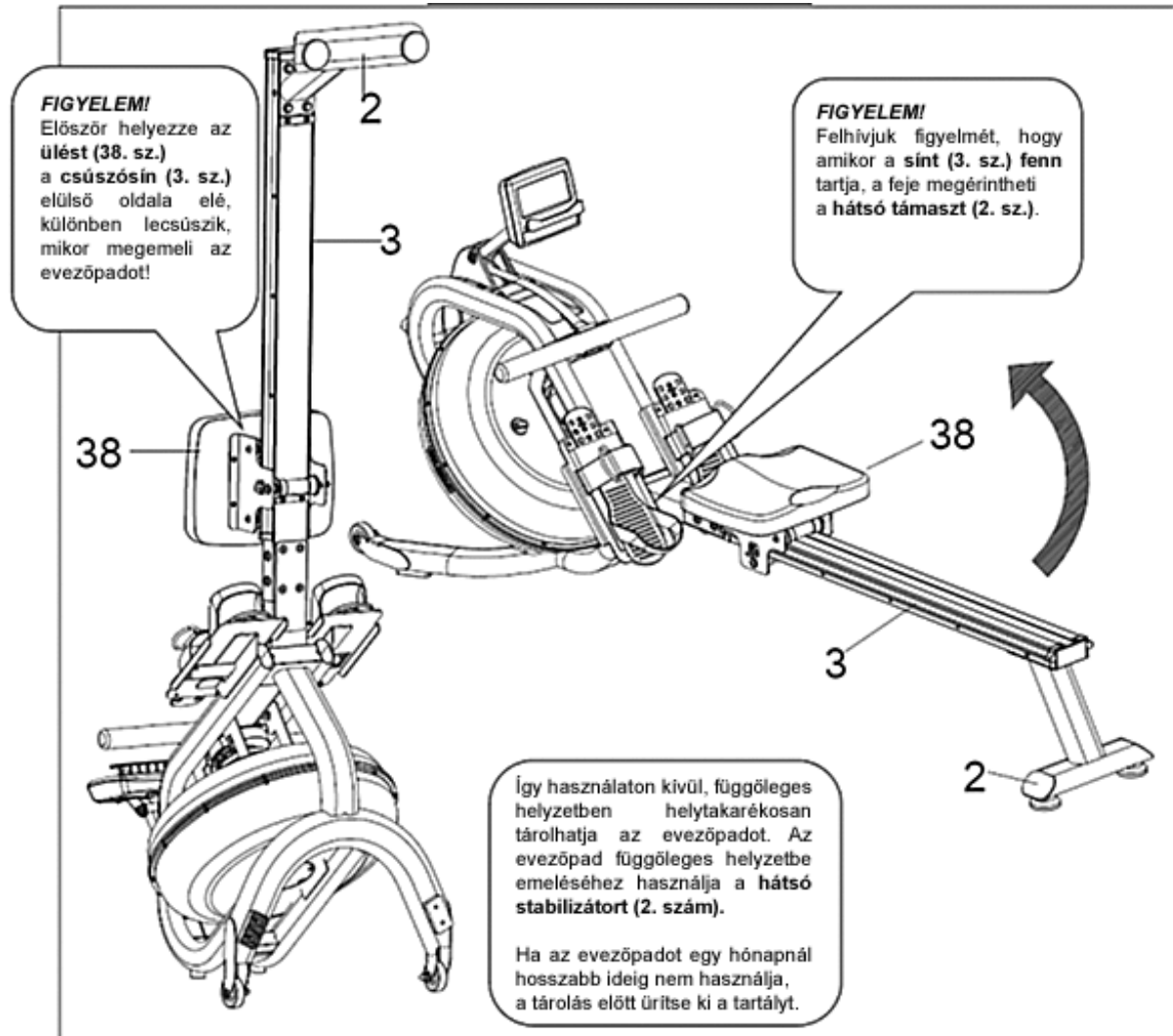
A GÉP SZINTBE ÁLLÍTÁSA

A szintezéshez állítsa be a hátsó stabilizátor (2. sz.) alatti beállító gombot (23. sz.).

FIGYELEM!

A mozgó alkatrészek, például az ülés, sérülést okozhatnak. Használat közben kezét tartsa távol a csúszósíntól!

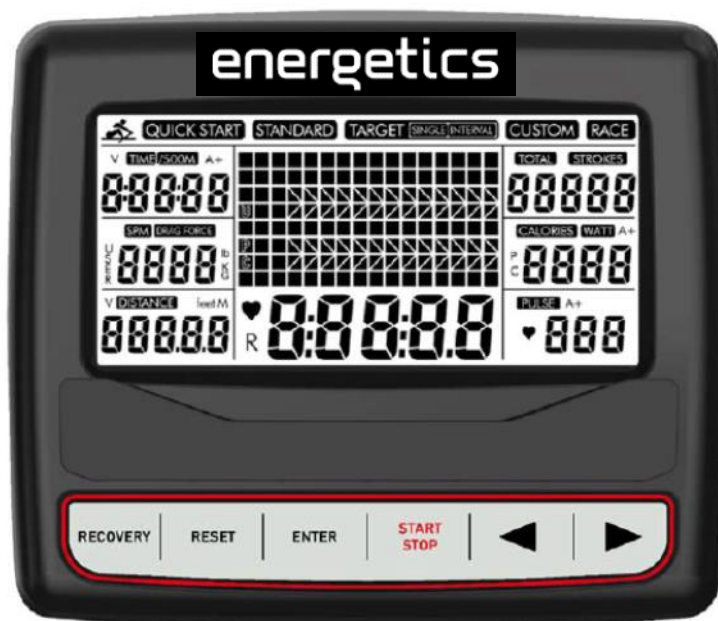
TÁROLÁSI ÚTMUTATÓ




KÉSZÜLJÖN FEL AZ EDZÉSRE

Edzés előtt töltsön vizet a tartályba. A vízszint 6. szintre feltöltéséhez javasoljuk, hogy figyelje a tartályon található **VÍZSZINT** jelzést, amely a maximális húzóerőt nyújtja a felhasználók számára. Ha víz a maximális 6.töltöttségi szintig van feltöltve, akkor az edzéshez válassza a számítógép L6 jelzését.

A számítógép használati utasítása



BEKAPCSOLÁS

A teljes LCD kijelző az elemek behelyezése után 2 másodperccel jelenik meg. Az LCD kijelzőn megjelenik az L6 alapértelmezett beállítás. Amennyiben a tartályba töltött víz a 6. szinten áll, akkor csak nyomja meg az ENTER gombot a megerősítéshez és készenléti üzemmódba lépéshez. L1 és L6 között választhat  úgy, hogy megnyomja a kiválasztott vízszintet, majd nyomja meg az ENTER billentyűt a megerősítéshez és készenléti módba lépéshez.

A NYOMÓGOMBOK KEZELÉSE

RECOVERY/REGENERÁCIÓ

Ezt a gombot megnyomva ellenőrizheti a pulzus helyreállítását 60 másodpercig, de a felhasználónak mellkasi övet kell viselnie, hogy a készülék érzékelje a pulzusjelet.

RESET/VISSZAÁLLÍTÁS

1. Nyomja meg a gombot, hogy visszatérjen az előre beállított értékhez paraméter-beállítási módban, majd nyomja meg ismét, hogy visszatérjen a programválasztáshoz.
2. Nyomja meg a gombot, hogy visszatérjen készenléti állapotba stop módban.

START/STOP

3. Tartsa lenyomva 2 másodpercig, a számítógép újraindul. Nyomja meg az edzés indításához vagy a leállításhoz.

ENTER



1. A programválasztás jóváhagyása.
2. Erősítse meg a paraméter beállítását, és lépjen a következő paraméterbeállításra.
3. Edzés során nyomja meg a funkcióérték kijelző váltásához.



1. Beállított paraméter növelése
2. Válassza ki a programot (QUICK, STANDARD, TARGET SINGLE, TARGET INTERVALS, CUSTOM, RACE)



1. Beállított paraméter csökkentése.
2. Válassza ki a programot (QUICK, STANDARD, TARGET SINGLE, TARGET INTERVALS, CUSTOM, RACE)

Megjegyzés : Nyomja meg   a funkció értékének megjelenítéséhez a nagy központi kijelzőablakban

	Alapértelmezett	Növekedés Csökkenés	Beállítási tartomány	Kijelzési tartomány
TIME (Idő)	0:00	+/-1	0:00~99:00	0:00 ~ 99:59
DISTANCE (Távolság)	0	+/-100	0 ~ 99900	0 ~ 99999
CSAPÁSSZÁM	0	+/-10	0 ~ 99990	0 ~ 99999
CALORIES (KALÓRIA)	0	+/-10	0 ~ 9990	0 ~ 9999

Megjegyzés: Az IDŐ és a TÁVOLSÁG nem állíthatók egyszerre, válassza ki az egyiket a beállításhoz.

FUNKCIÓLEÍRÁS

TIME (Idő): Az edzés idejét mutatja.

TIME/500M: Az átlagos 500 méteres idő automatikusan megjelenik és folyamatosan frissül.

SPM: Percenkénti csapásszám.

DISTANCE (Távolság): Az edzés során megtett távolságot jelzi.

CSAPÁSSZÁM: Az aktuális csapásszámot jelzi.

ÖSSZESÍTETT CSAPÁSSZÁM: Összegzi az összesített csapásszámot.

CALORIES (Kalória): Az elfogyasztott kalóriát jelzi.

PULSE (Pulzus): A felhasználó edzés alatti pulzusát jelzi.

HÚZÓERŐ: Az aktuális húzóerőt jelzi.

WATT: Az aktuális wattot jelzi.

A+: Az idő, kalória, watt és az impulzus átlagos funkcióértékét jeleníti meg.

HOGY KELL HASZNÁLNI

Bekapcsolás

A teljes LCD kijelző az elemek behelyezése után 2 másodperccel jelenik meg. Az LCD kijelzőn megjelenik az L6 alapértelmezett beállítás. Amennyiben a tartályba töltött víz a 6. szinten áll, akkor csak nyomja meg az ENTER gombot a megerősítéshez és készenléti üzemmódba

lépéshez. L1 és L6 között választhat  úgy, hogy megnyomja a kiválasztott, Ön által betöltött vízszintet, majd nyomja meg az ENTER billentyűt a megerősítéshez és készenléti módba lépéshez.

A felhasználó bármelyik gombot megnyomhatja a mérő aktiválásához, az edzés megkezdéséhez.



PROGRAM

A számítógépen 6 program található: , QUICK START (gyorsindítás), STANDARD (standard), TARGET SINGLE (egy cél), TARGET INTERVAL (cél intervallum), CUSTOM (egyéni) és RACE (verseny).




1.QUICK START : Nyomja meg a  gombot a QUICK START (gyors indítás) kiválasztásához, majd nyomja meg a START / STOP gombot az edzés elindításához.

1-1、 A funkció értékének edzés alatti átváltásához a nagy középső kijelzőre, nyomja meg az ENTER gombot.

1-2、 A programprofilnak 16 oszlopa van, minden oszlop 100 méterrel egyenlő.

2.STANDARD (standard) : Nyomja meg a  gombot a STANDARD program választásához, ezután nyomja meg az ENTER és  gombot, hogy egyet kiválasszon az öt edzés módból: **1) 2000m、 2) 5000m、 3) 10000m、 4) 30:00、 5) 500m/1:00.**

Ezután nyomja meg a START/STOP gombot az edzés indításához. A kiválasztott funkció értéke visszaszámlál, a többi funkció értéke felfelé számlál. A készenléti állapotba való visszatéréshez nyomja vissza a RESET gombot, mely hatására az előre beállított funkció értéke nullára csökken.




3.TARGET SINGLE (egy cél) : Nyomja meg a  gombot a TARGET SINGLE (egy cél) program választásához, ezután nyomja meg az ENTER és  gombot, hogy egyet kiválasszon az négy Single beállítás közül: 1) Time-Idő、 2) Distance-Távolság、 3) Calories-Kalória、 4) Pulse-Pulzus. Ezután a megerősítéshez nyomja meg az ENTER gombot, majd a  gombot a célérték beállításához. Ezután nyomja meg a START/STOP gombot az edzés indításához.


1) Time (Idő): Az 1 ~ 99 perc célidő beállítható az edzés közbeni visszaszámlálásra.


2) Distance (Távolság): A 100 ~ 99900 méter céltávolság beállítható az edzés közbeni visszaszámlálásra.


3) Kalória: A 100 ~ 9990 célkalória beállítható a az edzés közbeni visszaszámlálásra.

4) Pulse (Pulzus) A célzott pulzusszám 90 - 200 szívverés/perc értékre állítható be. Sípolni fog, ha a pulzus magasabb, mint a megcélzott pulzusszám. A felhasználónak mellkasi övet kell viselnie ehhez a programhoz.

4.TARGET INTERVALS (cél intervallumok) : Nyomja meg a  gombot a TARGET INTERVALS (cél intervallumok) program választásához, ezután nyomja meg az ENTER és  gombot, hogy egyet kiválasszon az három intervallumbeállítás mód közül: 1) Time-Idő, 2) Distance-Távolság, 3) Változó intervallumok. Ezután a megerősítéshez nyomja meg az ENTER gombot, majd a  gombot a célérték beállításához. Ezután nyomja meg a START/STOP gombot az edzés indításához.

1) Time (Idő): A  gombbal állítsa be az edzési időt, nyomja meg az ENTER-t a megerősítéshez, majd állítsa be a REST TIME opciót. Nyomja meg a START/STOP gombot az edzés megkezdéséhez.

2) Distance (Távolság): A  gombbal állítsa be az edzési távolságot, nyomja meg az ENTER-t a megerősítéshez, majd állítsa be a REST TIME opciót. Nyomja meg a START/STOP gombot az edzés megkezdéséhez.

3) Változó intervallumok: A  gombbal állítsa be az edzési időt, nyomja meg az ENTER-t a megerősítéshez, majd állítsa be az edzési távolságot. Nyomja meg az ENTER-t a megerősítéshez, állítsa be a REST TIME opciót, majd nyomja meg a START/STOP gombot az edzés megkezdéséhez.




5.CUSTOM (egyéni) : Nyomja meg a  gombot a CUSTOM (saját) kiválasztásához, majd nyomja meg az ENTER gombot és  gombot, a négy CUSTOM (saját) mód egyikének kiválasztásához: **1) V:30/:30R**, **2) V1:00/1:00R...7**, **3) V2000m/3:00R...4**, **4) V1:40/:20R**. Ezután nyomja meg a START/STOP gombot az edzés megkezdéséhez.

1) V :30/:30R : Edzés 30 másodperc, Pihenés 30 másodperc.

2) V1:00/1:00R...7 : Edzés egy perc, Pihenés egy perc, Ismétlés 7-szer.

3) V2000m/3:00R...4 : Edzés 2000m, Pihenés három perc, Ismétlés 4-szer.

4) V1:40/:20R : Edzés egy perc negyven másodperc, Pihenés 20 másodperc, Ismétlés 9-szer.

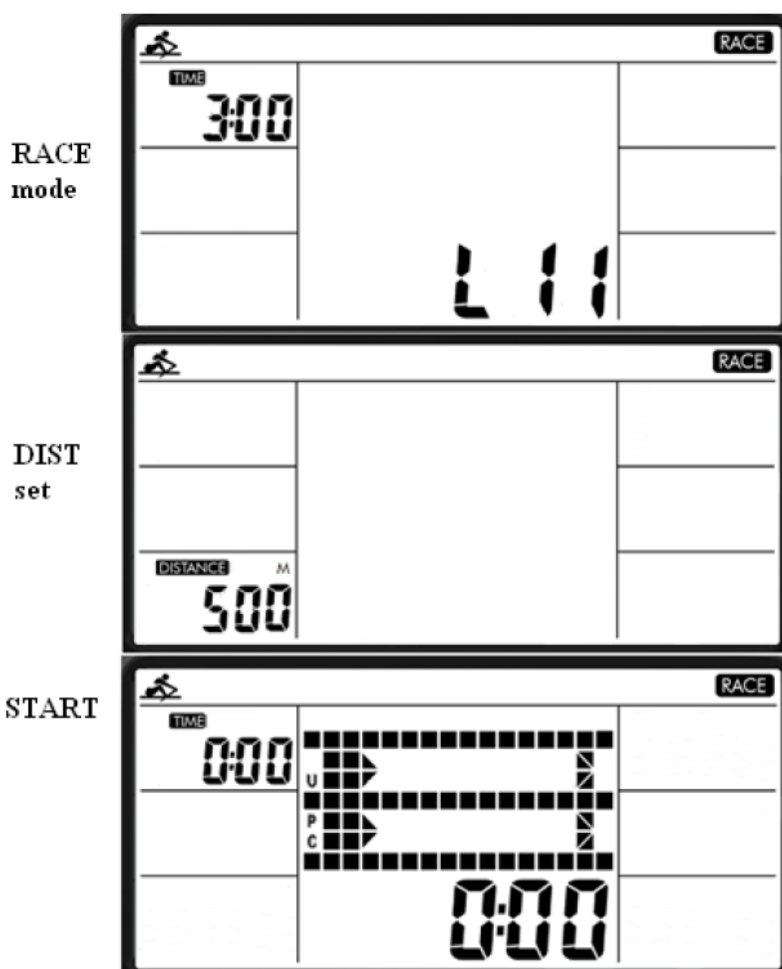
6.RACE (verseny) : Nyomja meg a  gombot a RACE (verseny) kiválasztásához, nyomja meg az ENTER-t a megerősítéshez, majd nyomja meg a  gombot az L1~L15 kiválasztásához. Nyomja meg az ENTER-t a megerősítéshez, és lépjen a DISTANCE (távolság) ablakra, amely villogni fog. Ezután a távolság beállításához nyomja meg a  gombot. Ezután nyomja meg a START gombot az edzés indításához.

A dot mátrix az U (felhasználó) és a PC grafikát fogja mutatni, hogy versenyezzenek egymással. (Ez azt jelenti, hogy a felhasználó a számítógéppel fog versenyezni)

Amint a számítógép vagy a felhasználó eléri az edzés végét, a számítógép leáll. A dot mátrix mutatja, hogy a PC vagy a USER (felhasználó) nyerte a versenyt. A USER (felhasználó) a START/STOP gomb ismételt megnyomásával újraindíthatja ugyanazt a RACE (verseny) programot.

A RACE (verseny) programban csak a DISTANCE (távolság) állítható. A TIME/500M rögzített, és az L1-L15 alapértelmezett időbeállítása az alábbiak szerint történik. Az alábbiakban referenciaként példa a RACE (verseny) programra.

L1	8:00		L6	5:30		L11	3:00
L2	7:30		L7	5:00		L12	2:30
L3	7:00		L8	4:30		L13	2:00
L4	6:30		L9	4:00		L14	1:30
L5	6:00		L10	3:30		L15	1:00



7.RECOVERY/REGENERÁCIÓ :


1) Ez a mérőkészülék 5,3 KHZ-es mellkasi övvel működik (nem tartozék). Miután edzett egy ideig, tartsa magán a mellkasi övet, és nyomja meg a „RECOVERY” (regeneráció) gombot. Minden funkció kijelzése megáll a „TIME” (Idő) kivételével, ami 00:60-tól elkezdi visszaszámolni 00:00-ig.

2) A képernyő F1, F2 vagy F6 formában megjeleníti a pulzus regenerációjának állapotát.

3) Az F1 kiemelkedő. Az F6 gyenge. A felhasználó folytathatja az edzést a pulzus regenerációs állapotának javítása érdekében. (Nyomja meg újra a RECOVERY gombot a főképernyőhöz való visszatéréshez.)

KIJELZŐ

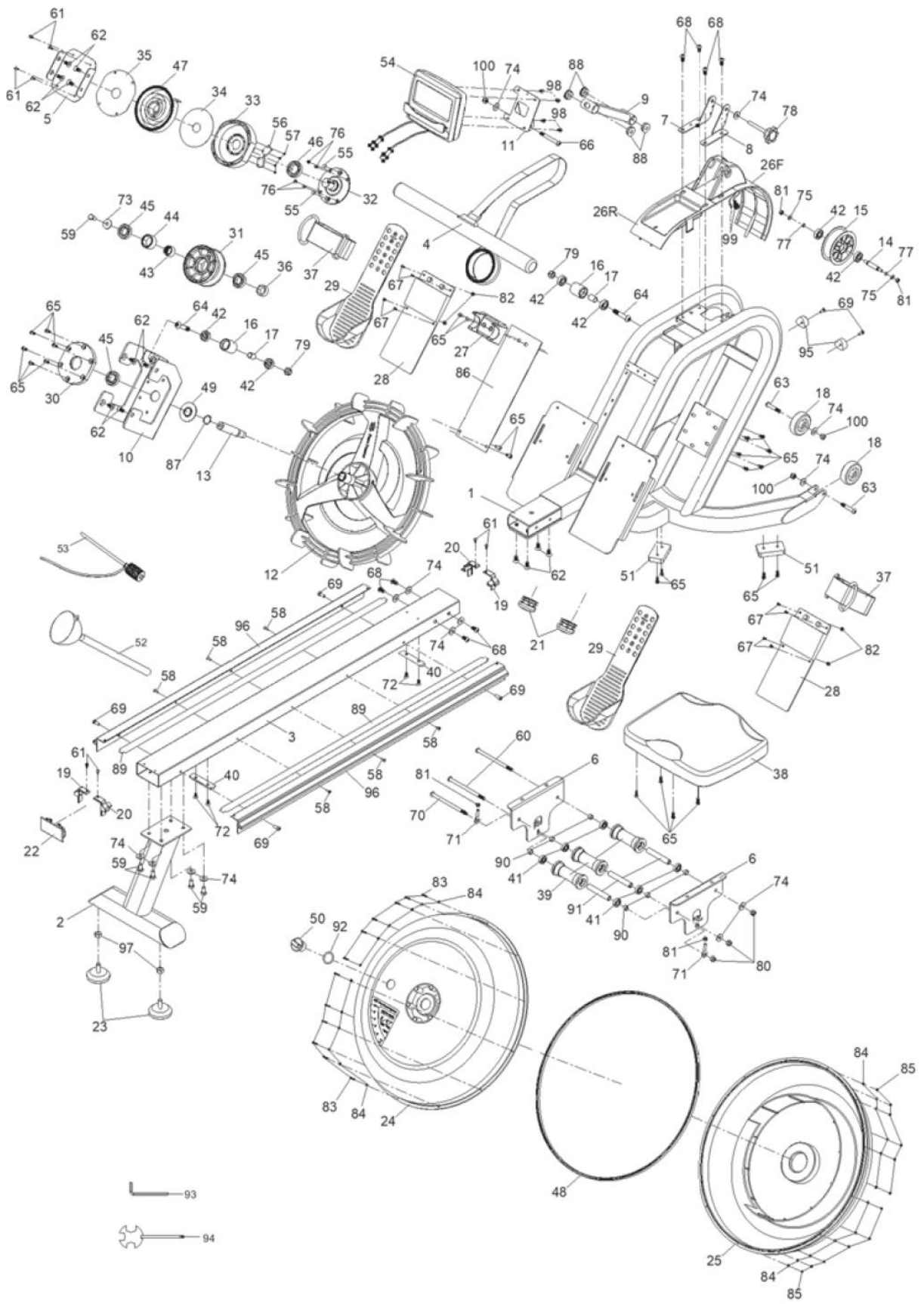
TIME (idő) ablak:	Megjeleníti a TIME és TIME/500M A+ adatokat.
SPM ablak	Megjeleníti az SPM-et és aktuális húzóerőt.
DISTANCE (távolság) ablak	Megjeleníti az edzés során megtett távolságot.
STROKE (csapásszám) ablak	Megjeleníti a STROKES (csapásszám) és TOTAL STROKES (összesített csapásszám) értékét.
CALORIES (kalória) ablak	Megjeleníti a CALORIES (kalória) és WATT A+ értékeket.
PULSE (pulzus) ablak	Megjeleníti a PULSE A+ értékét.

Az egyes funkciók áttekintéséhez az edzés megkezdése után nyomja meg a  gombot, hogy belépjen a 6 kis ablak egyikébe, például az SPM ablakba, és ugyanaz az érték megjelenik a központi nagy LCD-n is, majd nyomja meg az ENTER gombot az SPM és a Drag Force (húzóerő) interaktív megjelenítéséhez.

MEGJEGYZÉS

1. A mérőkészülék az edzés befejezése után 4 perccel alvó üzemmódba lép, és az összes érték automatikusan nullára áll vissza, kivéve a TOTAL STROKES (összesített csapásszám) értéket. Az edzés megkezdéséhez újra megnyomhatja a Start/Stop gombot, vagy bármelyik gomb megnyomásával felébresztheti a számítógépet.
2. Amennyiben a képernyő nem megfelelően működik, kérjük helyezze be újra az elemeket, és 15 mp múlva próbálja újra.
3. Elemek típusa: 1,5V UM-3 vagy AA (2DB). A berendezés leselejtezéséhez az elemeket el kell távolítani a készülékből, és biztonságosan kell megsemmisíteni.
4. Az elektromos készülékeket ne selejtezze kommunális hulladékként, adja le külön gyűjtőhelyen.
5. A rendelkezésre álló gyűjtési rendszerekkel kapcsolatos információkért vegye fel a kapcsolatot a helyi önkormányzattal.
6. Ha az elektromos készülékeket hulladéklerakókban helyezik el, veszélyes anyagok szivároghatnak a talajvízbe, és az élelmiszerláncba kerülve károsítják egészségét és környezetét.
7. Ha a régi készüléket újra cseréli, a kiskereskedő törvényi kötelessége a régi készüléket legalább megsemmisítés céljából ingyen visszavenni.

Exploded drawing



Partlist					
No.	Description	Qty	No.	Description	Qty
1	Main Frame	1	51	Skid Pad Rubber, black	2
2	Rear stabilizer	1	52	Funnel	1
3	Slide rail	1	53	Pumping Siphon	1
4	Handlebar	1	54	Computer TZ-8138	1
5	Spring fixed plate	1	55	Magnet Ø8*3	2
6	Seat carriage	2	56	Square Sensor Wire	1
7	Sensor stand L	1	57	Cross Screw ST3*10	4
8	Sensor stand R	1	58	Flat Cross Screw M4*12	6
9	Support for computer	1	59	Outer Hex Screw M8*15	5
10	Tank plate	1	60	Bolt M8*140	2
11	Support plate	1	61	Cross Screw M4*12	8
12	Plastic impeller	1	62	Flat Cross M8*15	12
13	Impeller shaft 40gr.	1	63	Bolt M8*45	2
14	Belt wheel shaft Ø10*64*M6	1	64	Bolt M10*50	2
15	Belt wheel POM, Black	1	65	Screw M6*15	24
16	Guide roller POM, Black	2	66	Bolt M8*65	1
17	Guide roller spacer ABS, Black	2	67	Cross Screw M5*15	8
18	Moving Wheel PP, Black	2	68	Screw M8*15	8
19	Left Decorative Cover for Rail PP, Black	2	69	Cross Screw M6*15	6
20	Right Decorative Cover for Rail PP, Black	2	70	Bolt M8*145	1
21	Oval plug PP, Black	2	71	Adjust Bolt M6*30	2
22	Rail End Cap PP, Black	1	72	Flat Cross Screw M6*10	4
23	Adjust Knob Black	2	73	Washer OD25*ID8.5* 2.0	1
24	Upper Tank PC	1	74	Washer OD20*ID8.5* 1.5	14
25	Lower Tank PC	1	75	Washer OD12*ID6.5* 1.5	2
26 F/ R	Decorate Cover HIPS, Black	1	76	Cross Screw ST5*10	4

27	Handlebar Seat TPR, Black	1	77	Belt wheel spacer ϕ 16* ϕ 10.2*4	2
28	Pedal Ca PP, Black	2	78	Meter Adjustment Knob ABS	1
29	Pedal Support PP, Black	2	79	Nylon Nut M10	2
30	Bearing Seat POM, Black	1	80	Nylon Nut M8	3
31	Mesh Belt Wheel POM, Black	1	81	Nylon Nut M6	4
32	Axle for Volute Spring POM, Black	1	82	Nylon Nut M5	4
33	Base of Volute Spring POM, Black	1	83	Screw M3*22	12
34	PC Board PC	1	84	Stainless Washer M3	24
35	Outer PC Board PC	1	85	Nylon Nut M3	12
36	Spacer for Mesh Belt Wheel 25* ϕ 20*13	1	86	Main Frame Plate	1
37	Pedal Strap	2	87	C Clip ϕ 20	1
38	Seat PU, Black	1	88	Bushing PP, Black	4
39	Seat Roller POM, Black	3	89	EVA For Rail	2
40	Limit Pad Rubber, black	2	90	Spacer for Seat Roller OD12.7*ID8. 2*13	6
41	Bearing 608ZZ	6	91	Roller tube ABS, Black	3
42	Bearing 6000ZZ	6	92	O-Shaped Ring Rubber, black	1
43	One-way Bearing HF2016	1	93	Allen Wrench S5	1
44	Steel Sleeve ϕ 35* ϕ 26*18	1	94	Spanner S13-17	1
45	Bearing 61904ZZ	3	95	Storage Pad PVC	2
46	Bearing 61905ZZ	1	96	Aluminum Rail	2
47	Volute Spring 5M	1	97	Hex Nut M10	2
48	Rubber Sealing Ring Rubber, black	1	98	Cross Screw M5*10	4
49	Seal	1	99	Connection Wire	
50	Fill Plug Rubber, black	1	100	Arc Nut M8	3

- EN TECHNICAL SERVICE:** In case you are experiencing technical problems or you need technical advice, please contact your INTERSPORT retailer where the product was purchased. In case your local INTERSPORT retailer is unable to assist you, please refer to the list below to find a service provider in your country:
- DE TECHNISCHER SERVICE:** Im Falle eines technischen Problem es oder sollten Sie technische Beratung benötigen kontaktieren Sie bitte Ihren INTERSPORT-Handler, bei dem Sie das Gerat gekauft haben. Falls Ihr INTERSPORT-Handler Ihnen nicht weiterhelfen kann, finden Sie weitere Ansprechpartner Ihres Landes in der unten aufgeführten Liste:
- CZ TECHNICKY SERVIS:** V případě technických problémů nebo pokud potřebujete technickou radu, kontaktujte maloprodejce INTERSPORT v místě, kde jste výrobek zakoupili. Pokud není místní prodejce INTERSPORT schopn ý vám pomoci, vyhledejte poskytovatele služeb ve své zemi podle seznamu uvedeného dále:
- SK TECHNICKY SERVIS:** Ak máte technické problémy alebo potrebujete technickú radu, obráťte sa na predajcu INTERSPORT, u ktorého ste výrobok kupili. Ak vám miestny predajca INTERSPORT nie je schopný pomôcť, pozrite si nasledujúci zoznam, v ktorom nájdete poskytovateľa servisu vo vašej krajine:
- HU MŰSZAKI SEGÍTÉS:** Ha műszaki problém at tapasztal vagy technikus i tanácsra van szüksege, vegye fel a kapcsolatot azzal az INTERSPORT szakuzlettel, ahol a termeket vásarolta. Ha a helyi INTERSPORT szakuzletben nem tudnak segíteni, az alább található listán keressen szolgálatot a saját országában:

INTERSPORT Austria

INTERSPORT Austria Gesellschaft mbH
 Flugplatzstrasse 10
 4600 Wels
 Austria
 Phone: + 43 7242 233 0
 www.intersport.at
 hotline@energetics.at

INTERSPORT Austria / Czech Republic

INTERSPORT ČR s.r.o.
 Na Strži 1702/65
 140 62 Praha 4
 Czech Republic
 Phone: + 42 284 683 695
 Fax: + 42 284 683 431
 www.intersport.cz
 intersport@intersport.cz

INTERSPORT Austria / Hungary

IS Sport BT
 Kinizsi u. 5/a
 2040 Budaors
 Hungary
 Phone: + 36 234 287 25
 Fax: + 36 234 287 26
 www.intersport.hu
 headoffice@intersport.hu

INTERSPORT Germany

INTERSPORT Austria Gesellschaft mbH.
 Flugplatzstrasse 10
 4600 Wels
 Austria
 Phone: +49 7131 288 8000
 www.intersport.at
 hotline@energetics.at

INTERSPORT Austria / Slovakia

INTERSPORT SK s.r.o.
 Rožňavská 12
 82104 Bratislava
 Slovakia
 Phone: + 42 800 500 855
 www.intersport.sk
 headoffice@intersport.sk